

SYSTEMS ACCESSORIES

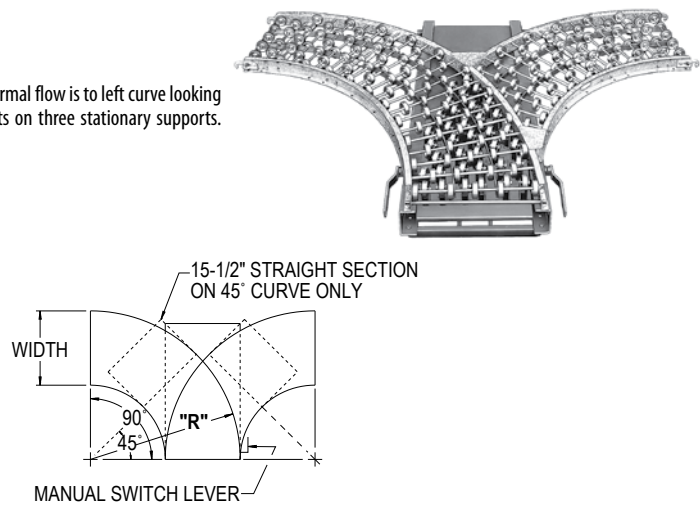
“Y” SWITCH

Y Switch provides simple method of diverting or converging products from one line to another. Normal flow is to left curve looking from handle end. Transfer mechanism is raised to transfer products to other curve. Unit mounts on three stationary supports. Furnished with manual or pneumatic controls. Guard rails can be supplied—optional.

- 4 Widths
- Hand or Air Operated
- 45° and 90° Curves Available

| "R" | Width | Degre | Model No. | Weight (lbs) |
|-------|-------|-----------|-----------|--------------|
| 4'-0" | 12" | 45° | SYS-12-45 | 106 |
| | | 90° | SYS-12-90 | 142 |
| | 15" | 45° | SYS-15-45 | 120 |
| | | 90° | SYS-15-90 | 156 |
| 18" | 45° | SYS-18-45 | 131 | |
| | 90° | SYS-18-90 | 169 | |
| 5'-0" | 24" | 45° | SYS-24-45 | 145 |
| | | 90° | SYS-24-90 | 185 |

All weights in catalog are conveyor weights only. Accessories, crating, etc., are not included.



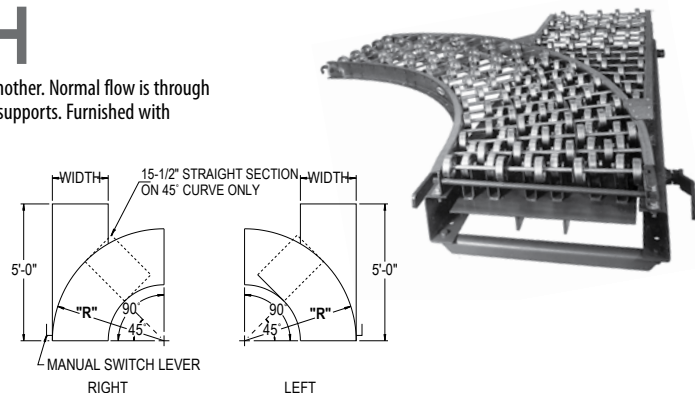
SPUR CURVE SWITCH

Spur Curve Switch provides simple method of diverting or converging products from one line to another. Normal flow is through curve. Transfer mechanism is raised to transfer straight through. Unit mounts on three stationary supports. Furnished with manual or pneumatic controls. Guard rails can be supplied—optional.

- 4 Widths
- Hand or Air Operated
- 45° and 90° curves available
- Right and Left Hand Units
- Hand or Air Operated

| "R" | Width | Degre | Model No. | Weight (lbs) |
|-------|-------|------------------|------------------|--------------|
| 4'-0" | 12" | 45° | SCS-12-45-R or L | 140 |
| | | 90° | SCS-12-90-R or L | 157 |
| | 15" | 45° | SCS-15-45-R or L | 153 |
| | | 90° | SCS-15-90-R or L | 173 |
| 18" | 45° | SCS-18-45-R or L | 166 | |
| | 90° | SCS-18-90-R or L | 188 | |
| 5'-0" | 24" | 45° | SCS-24-45-R or L | 190 |
| | | 90° | SCS-24-90-R or L | 205 |

All weights in catalog are conveyor weights only. Accessories, crating, etc., are not included.



TC-250 TRAFFIC COP

The Traffic Cop controls product flow from one conveyor onto another. It allows products from one line of traffic to flow freely, without interference from another converging line of traffic. This eliminates collision of products which may cause damage and disrupt product flow.

- 7 Arm Widths, Aluminum
- Adjustable for 180°, 90°, 60°, 45°, & 30° Applications, specify
- Locked Arm Impact Capacity is 70 lbs. at 65 FPM
- 5 lbs. minimum Package Weight at 65 FPM Required to Actuate Arm
- 250 lbs. maximum Accumulated Capacity

| Conveyor Width Overall | Arm Length Size "A" | Model No. | Weight (lbs) |
|------------------------|---------------------|-----------|--------------|
| 12" | 12" | TC-250-12 | 47 |
| 15" | 15" | TC-250-15 | |
| 18" | 18" | TC-250-18 | |
| 22" | 22" | TC-250-22 | |
| 24" | 24" | TC-250-24 | 50 |
| 26" | 26" | TC-250-26 | |
| 30"-36" | 30" | TC-250-30 | |

All weights in catalog are conveyor weights only. Accessories, crating, etc., are not included.

