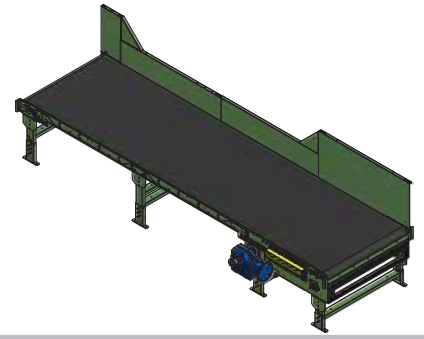


HSS-HD

Parcel Belt Conveyor

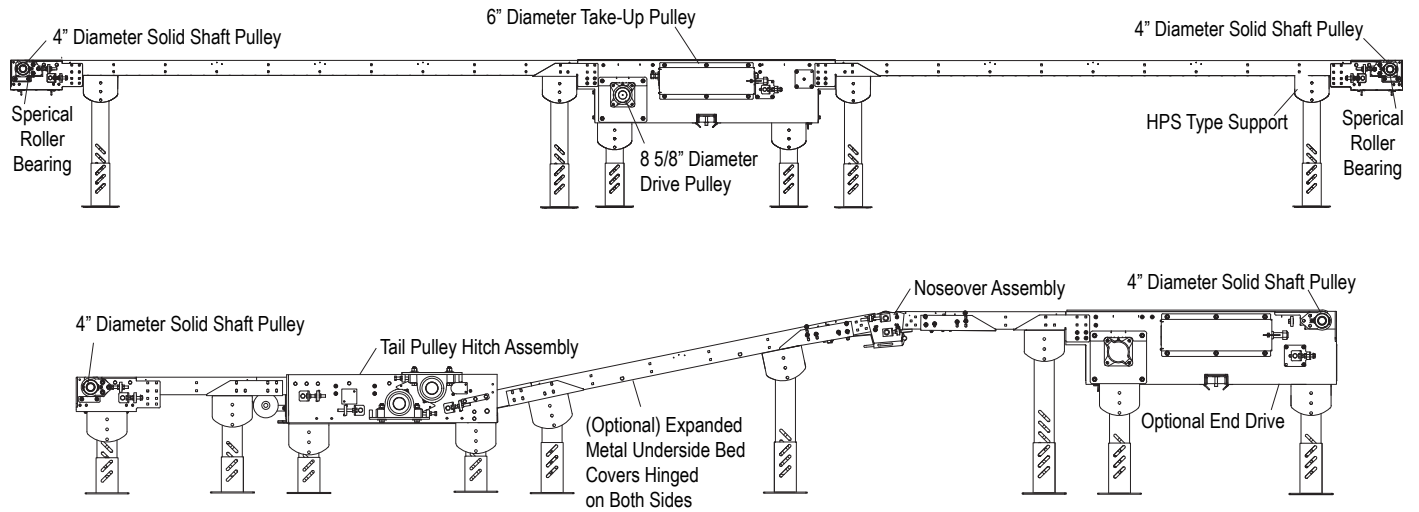
Designed for the parcel handling industry for semibulk application.

- 8-5/8" Drive Pulley
- Bolted Construction
- 4" Solid Shaft Pulley
- 3-20 HP available
- 13" Take-Up Length
- 150' Maxium Overall Conveyor Length
- 50 - 600 FPM
- Spherical Roller Bearings



	Bed Width			
	37"	43"	49"	61.5"
Drive (Center)	1258	1677	1667	2091
Drive (End)	1258	1677	1667	2091
Intermediate Bed (10')	285	315	345	408
Tail Assembly	166.5	193.5	220.5	276.75
Nose-over Assembly	158	182	158	256

Notes:
 Above weights included 12" high side guard.
 Accessories, crating, etc. are not included in above weights.
 Customer specified guarding available per order.



• STANDARD SPECIFICATIONS

BELT—Belting available per customer specification.

BED—3 1/2" deep 10 ga. or 12 ga. formed steel slider bed painted per customer specified color.

CENTER DRIVE—Minimum elevation 15 1/2"

DRIVE PULLEY—8 5/8" diameter lagged pulley with through shaft design.

TAKE-UP PULLEY—6" diameter

SNUB IDLER—3 1/2" diameter ROL-04

TAIL PULLEY—4" diameter solid shaft

DRIVE BEARINGS—Sealed, pre-lubricated, self-aligning, cast-iron spherical roller bearing.

MOTOR—Available from 3 to 20 HP.

BELT SPEED—Available from 80 to 540 FPM.

CAPACITY—50 lbs. per linear foot. Do not exceed capacity in chart below.

HP Selection Chart

		LENGTH						
		15'	25'	50'	75'	100'	125'	150'
SPEED (FPM)	55	3	3	5	5	7.5	10	10
	75	3	3	5	5	7.5	10	10
	100	3	3	5	7.5	7.5	10	15
	125	3	3	5	7.5	10	10	15
	150	3	3	5	7.5	10	15	15
	250	3	3	7.5	10	15	15	20
	350	3	5	7.5	10	15	20	20
	450	3	5	10	15	20	20	NA
	540	3	5	10	15	20	NA	NA

Note: HP calculations based on 6000 PPH. For higher rate, contact factory.

• OPTIONAL EQUIPMENT

FLOOR SUPPORTS—Available with a wide range of adjustment. Specify top of belt elevation. One support required at every bed joint and ends of conveyor. Holes in feet for lagging to floor. Knee bracing not included.

BELT—Option per customer specifics.

UNDERSIDE BED COVERS—Hinged expanded metal per customer specifics.

NOSEOVER—Single noseover for transition from angled to horizontal position.

BEDS—Available in 6 5/8" deep (12 ga.)

CABLE RAIL ASSEMBLY—For mounting cable

MOTORS—3, 5, 7 1/2, 10, and 15 available.

SIDE GUARDS/PAN—Available in 2" to 36" high (2" increments)

HITCH ASSEMBLY—2° to 20° (1° increments)