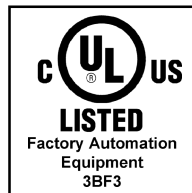




# BestFlex Power BFP 1.5 and BFP 1.9 Conveyor System

## Operator's Manual



FMH Conveyors LLC  
107 Flint Street  
Jonesboro, AR 72401

p. 800.327.9209  
t. 844.FMH.SERVICE  
f. 870.935.3661

Part Number 99042  
Effective October 2015  
[www.fmhconveyors.com](http://www.fmhconveyors.com)

Dear Operator,

We at FMH Conveyors would like to thank you for selecting our BestFlex® power conveyor system as the solution to your conveying needs.

Your BestFlex® system is supported by a group of factory trained customer service representatives. They can be reached via our toll free number **1-800-327-9209**. Whether your needs require assistance from the factory or in the field, please do not hesitate to call. Our team is eager to help.

Thank you once again for purchasing our BestFlex conveyor system. We look forward to fulfilling your future requirements.

Sincerely,  
FMH Conveyors



## Underwriters Laboratories Certification Statement

Best conveyors have been thoroughly tested by Underwriters Laboratories, and have been found to meet their strict standards for Factory Automation Equipment. Our conveyors are certified to UL508 Standards when shipped from our plant. Our UL file number is E230497. All standards can be found on-line at [www.ul.com](http://www.ul.com).

ANY MODIFICATION FROM ORIGINAL FACTORY CONDITION, OR REPAIRS NOT PERFORMED BY A BEST CONVEYORS TECHNICIAN OR CERTIFIED CONTRACTOR, MAY VOID UL CERTIFICATION.

For specific assistance regarding any UL issues, please contact your Best Conveyors sales representative at **800-327-9209**.

## Table of Contents

Thank You and UL Statement	2
Warranty Statement, Service Instructions and Safety Information	4
Standard Product Specifications	5-6
Application Guidelines	7
Installation and Assembly Instructions	8-9
Maintenance Procedures	10-11
Troubleshooting	12-13
Schematic: E-Stops, Flexible Units w/o PSB	14
Schematic: Standard Power	15
Parts List and Drawings	16-21
Recommended Spare Parts List	22
Product Option: Interface Kit / Troubleshooting	23-25
Package Stop Kit	26
Schematic: Package Stop Kit	27
Indexing Kit	28
Schematic: Indexing Kit	29
Leg Connect Bracket Kit	30
Shock Absorbing Inner Legs Kit	31
Side Rail Kit	32
PowerTrax	33
Schematic: PowerTrax Connection	34
Split Kit Option	35
Control Enclosure	36
Addendum A: Order Specific Manuals, Inserts and Drawings (as required)	

## Warranty Statement

Your FMH conveyor is protected by our premier warranty. FMH Conveyors will replace, free of charge, parts that are damaged during the course of normal operation due to material or workmanship defects. This warranty extends for a period of two (2) years on all mechanical components and one (1) year on all electrical components (measured from the date you took possession of your conveyor.)

This warranty does not cover damage due to accident, misuse, abuse and negligence. This warranty does not cover damage due to improper operation or maintenance, connection to improper voltage supply, or attempted repair/modification by anyone other than an authorized FMH Conveyors service personnel.

For specific warranty information or assistance, please contact your FMH Conveyors sales representative at 800-327-9209.

## Service Instructions

If your FMH conveyor needs service or replacement parts, please contact your distributor or our factory toll free at **800-327-9209**.

## Safety Information

- Move conveyor only by grasping the handles located on each side at both ends of the conveyor.
- When expanding or compacting your conveyor, keep hands, clothing and other items clear of the sidebars.
- Do not exceed the conveyor load capacity, as it may result in possible operator injury or conveyor damage.
- Avoid wearing excessively loose clothing when working with moving equipment.
- Keep long hair pulled up to prevent it from becoming caught in moving parts.
- Broken or worn parts must be immediately replaced.
- FMH conveyors must only be serviced by properly trained and qualified technicians.
- Conveyor's power cord must be connected to a **Grounded** receptacle that is protected by an over current device rated at no more than 15 amps, unless otherwise specified.
- Never service a conveyor with the power applied. Always disconnect power before servicing equipment.
- Never operate conveyor with an electrical enclosure open.

## Standard Product Specifications

	<b>B/FP 1.5 Series</b>	<b>B/FP 1.9 Series</b>
<b>Conveyor Bed Width:</b>		
Inches	18, 24, 30	18, 24, 30
Millimeters	457, 610, 762	457, 610, 762
<b>Load Capacity Per Linear foot (305 mm):</b>		
Pounds	100	100
Kilograms	45.5	45.5
<b>Rollers:</b>		
Inches	1.5"	1.9"
Millimeters	38.1	48.26
Axle	12 mm	12 mm
Tube	16 gauge	16 gauge
Bearings	Precision	Precision
<b>Product Travel Speed:</b>		
Feet per minute	0-120	0-120
Meters per minute	36.58	36.58
<b>Casters:</b>		
Inches	6" x 2"	8" x 2"
Millimeters	152.4 x 50.8	203.2 x 50.8
<b>Adjustable Conveyor Height:</b>		
Inches	31 ½ to 44 ½	28 ½ to 37 ½
Millimeters	800 to 1,130	724 to 946
<b>Expanded to Compacted Ratios:</b>		
5" (127 mm) axle center	3:1	2.4:1
4" (102 mm) axle center	2.2:1	2:1
3" (76 mm) axle center	1.7:1	1.5:1
<b>Belts:</b>		
Material	Polyurethane	Polyurethane
Durometer	85A +/- 3A	85A +/- 3A
Diameter	.210"	.210"
Drive Color	Orange	Orange
Drive Length	13 3/16"	13 3/16"
Idler Color	Clear	Clear
Idler Length	12 11/16"	12 11/16"
<b>Voltage:</b>	120VAC	120VAC
<b>Amps:</b>	.74 Amps per motor	.74 Amps per motor
<b>Drive Motor:</b>		
Motor	1/8 HP rated	1/8 HP rated
Full Load Demand	.74 Amps	.74 Amps
Voltage	180VDC	180VDC

## Standard Product Specifications (cont.)

### Noise Level of BestFlex Power Conveyors:

Rating at conveyor bed level (approx.):	70 dB
Rating at ear level (approx.):	60 dB

### Conveyor Shipping Weights (per linear foot of conveyor):

#### 5" Axle Centers

<b>Conveyor Width:</b>	<b>B/FP 1.5</b>	<b>B/FP 1.9</b>
18"	26.35 lbs.	28.90 lbs.
24"	31.00 lbs.	34.00 lbs.
30"	35.65 lbs.	39.10 lbs.

#### 4" Axle Centers

<b>Conveyor Width:</b>	<b>B/FP 1.5</b>	<b>B/FP 1.9</b>
18"	32.94 lbs.	36.13 lbs.
24"	38.75 lbs.	42.50 lbs.
30"	44.56 lbs.	48.88 lbs.

#### 3" Axle Centers

<b>Conveyor Width:</b>	<b>B/FP 1.5</b>	<b>B/FP 1.9</b>
18"	38.18 lbs.	43.93 lbs.
24"	51.63 lbs.	56.68 lbs.
30"	59.43 lbs.	65.18 lbs.

## Application Guidelines

Your new BestFlex Powered Conveyor is very adaptable and can be used in a large variety of applications, some of which are shipping, receiving, transportation, etc. If you have a question about a particular application, please consult with our Sales Department. The following guidelines should help you in making decisions about your application.

The conveyor is rated at 100 pounds per linear foot when used on a level surface. The capacity will decrease when the conveyor is used on an incline.

Do not allow boxes to accumulate on the conveyor because it will cause premature failure of the belts. Zero Pressure Accumulation is available for that type of application.

### Minimum Inside Radius:

	<b>B/FP 1.5</b>	<b>B/FP 1.9</b>
5" Axle Centers	16 7/8 inches	20 inches
4" Axle Centers	20 inches	21 inches
3" Axle Centers	28 inches	31 1/2 inches

### Compaction/Expansion Ratios:

	<b>B/FP 1.5</b>	<b>B/FP 1.9</b>
5" Axle Centers	3.1:1	2.4:1
4" Axle Centers	2.21:1	1.95:1
3" Axle Centers	1.72:1	1.5:1

Cartons may rotate on the conveyor surface when the unit is set up in a curve.

Custom lengths and elevations are available.

Mechanical package stops should not be used without a photo eye package stop.

## Installation

- 1) Unpack the BestFlex Power Conveyor and inspect for possible damage that may have occurred during shipping. Pay particular attention to the wiring to ensure that no wires are pulled loose or damaged in any way. If you find any damage, contact the factory before applying power to the conveyor.
- 2) If your conveyor was shipped in more than one section, see "Assembly Instructions" below.
- 3) Make sure all Emergency Stop push-buttons are depressed (there will be one at each end of the conveyor.)
- 4) Roll the unit into position. If applicable, use the connect hooks to attach the Best/Flex to a rigid conveyor.
- 5) Conveyor must be installed to meet all local and national codes.
- 6) Plug the power cord into a 115 VAC **Grounded** receptacle.
- 7) Release **all** Emergency Stop push-button (a single Emergency Stop push-button that is depressed will prevent the conveyor from running.) There is an on/off switch on the control box located near the middle of the conveyor.
- 8) Adjust the speed of the conveyor with the potentiometer on the DC Variable Speed Drive located near the middle of the conveyor.
- 9) Begin placing packages on the conveyor.

## Assembly Instructions

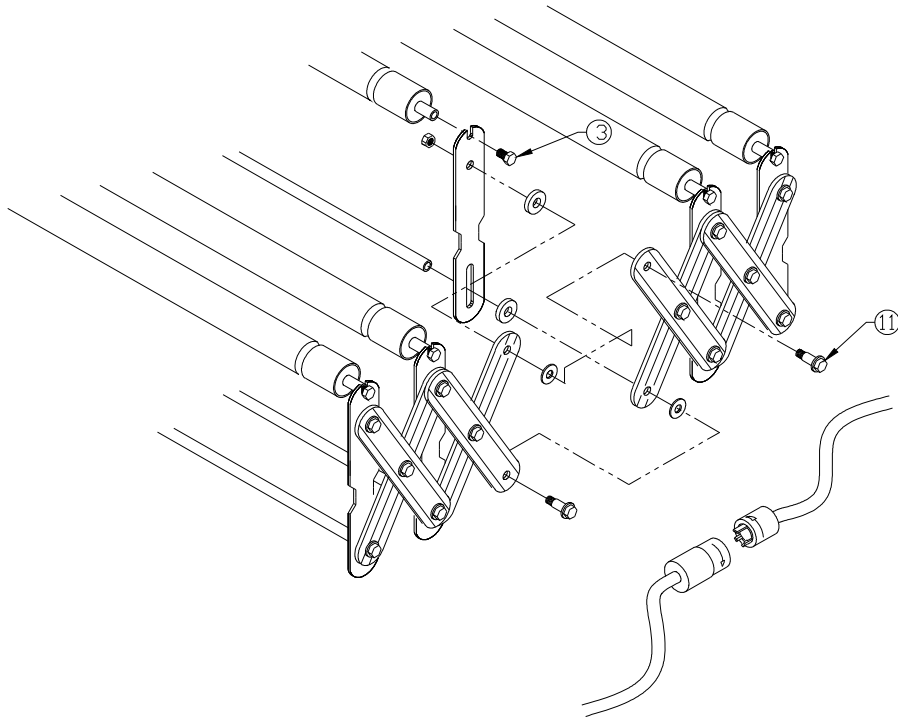
**Note: If you have the Split Kit option, see page 34**

- 1) Fully expand Section A and Section B and position as shown in Figure A (page 9)
- 2) Loosen bolts (#3) and remove last roller on Section A.
- 3) Remove bolts (#11) taking care not to lose any spacers, washers or nuts.
- 4) With sections fully expanded, align Section A and B and replace bolts, washers, spacers and nuts as shown in Figure B (page 9), working one bolt at a time. Do not tighten any bolts until all are started.
- 5) Tighten bolts.
- 6) Replace roller idler pulley and belts.
- 7) Place roller through belts and slip into roller mount bracket.
- 8) Tighten roller bolts (#3) while holding roller fully seated in slot.
- 9) Connect electrical plugs and make sure they are locked.
- 10) If conveyor was shipped in more than 2 sections, repeat this operation for all remaining sections.
- 11) Connect power source and ensure proper operation.

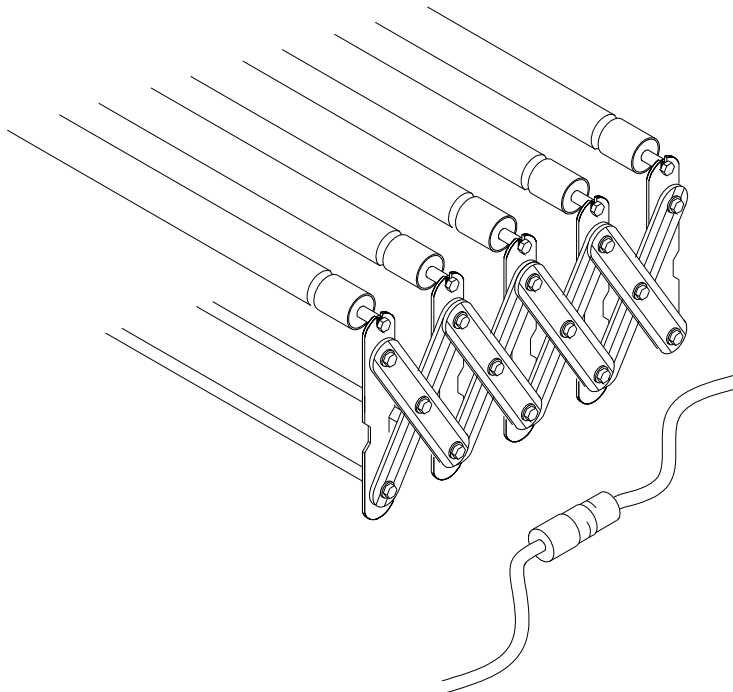


## Assembly Instructions (cont.)

**Figure A**



**Figure B**



## Maintenance Procedures

The BestFlex Power Conveyor is virtually maintenance free. We do recommend that you regularly inspect the unit to ensure proper operation of mechanical and safety systems.

### Daily

- Keep the conveyor clean and free of debris, dirt and grease accumulation.
- Periodically lubricate all slotted components with a lightweight lubricant to ensure smooth and easy operation.
- Inspect wires and cables for damage. If damage to wires or cables is found, disconnect the power cord immediately and do not operate unit until proper repair is completed.
- Inspect belts for wear. Replace excessively worn belts.
- Inspect sidebar nuts and bolts for looseness or missing parts. Tighten or replace as needed.
- Verify all Start/Stop/E-Stop pushbuttons operate properly.
- Test Ground Fault operation by pressing test button.

### DC Motor Brush Maintenance

All motors used to power the conveying surfaces of the BestFlex Powered Conveyors are DC permanent magnet motors. These motors have a pair of serviceable brushes that wear with use. Brush life is affected by the speed of the motor, the loads being conveyed, the number of start-stop cycles and other factors. Therefore, brush life will vary from application to application.

To ensure long motor life, brush inspection should be included in the normal maintenance schedule. Brushes should be periodically removed, visually inspected and measured.

The brushes are accessed by removing the two caps on the end of the motor opposite of the gearbox (see Photo 1 on page 11). With the cap removed, the brush may be removed from its holder by pulling on the spring. Visually inspect the brushes for chips or grooves. The shunt wire should not be frayed or broken. The brush should be replaced if it measures 0.125 inches or less as shown in Figure 1. Possible armature damage could result from running the brushes beyond this wear point.

When being installed, the brush should slide freely into the holder. The brass contact connected to the top of the spring should be installed so its tabs are aligned with the motor shaft (Photo 2, page 11). One tab should be facing the rear of the motor and the other tab toward the front. The tabs should go easily into the brush holder. Do not over tighten the plastic cap that holds the brush in place.

## Maintenance Schedule, Motors



Photo 1: Typical Brush Location



Photo 2

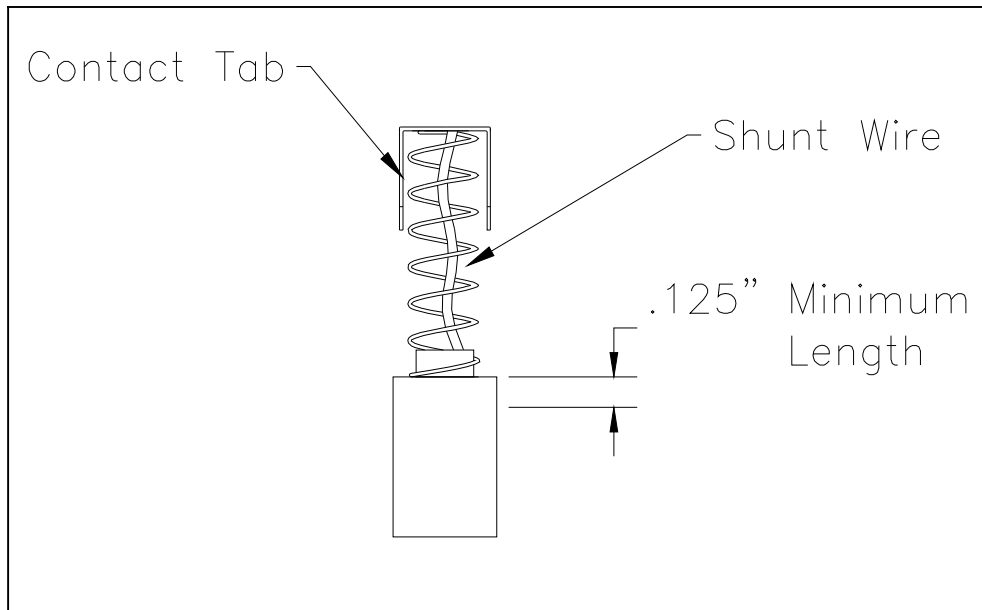
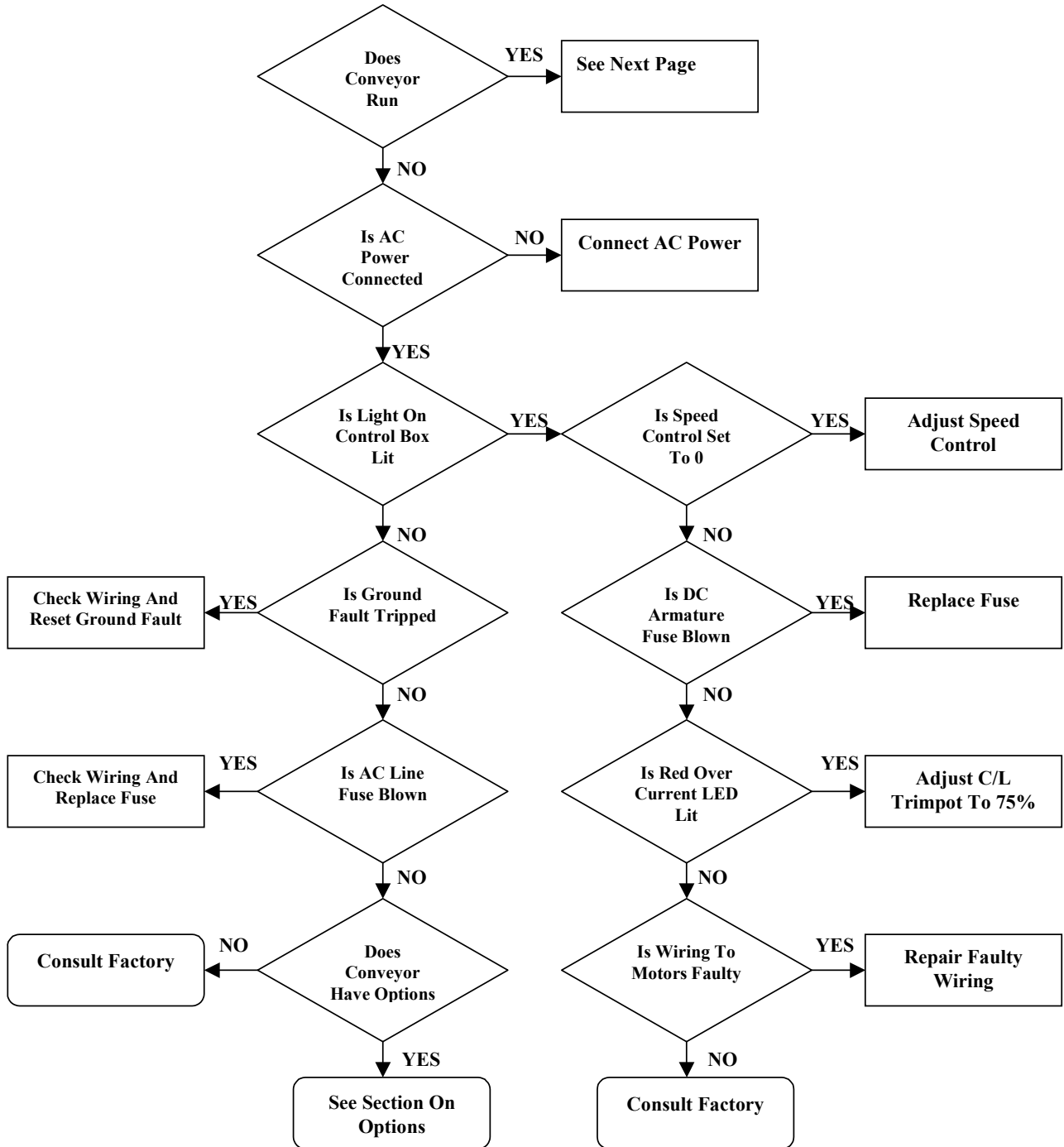
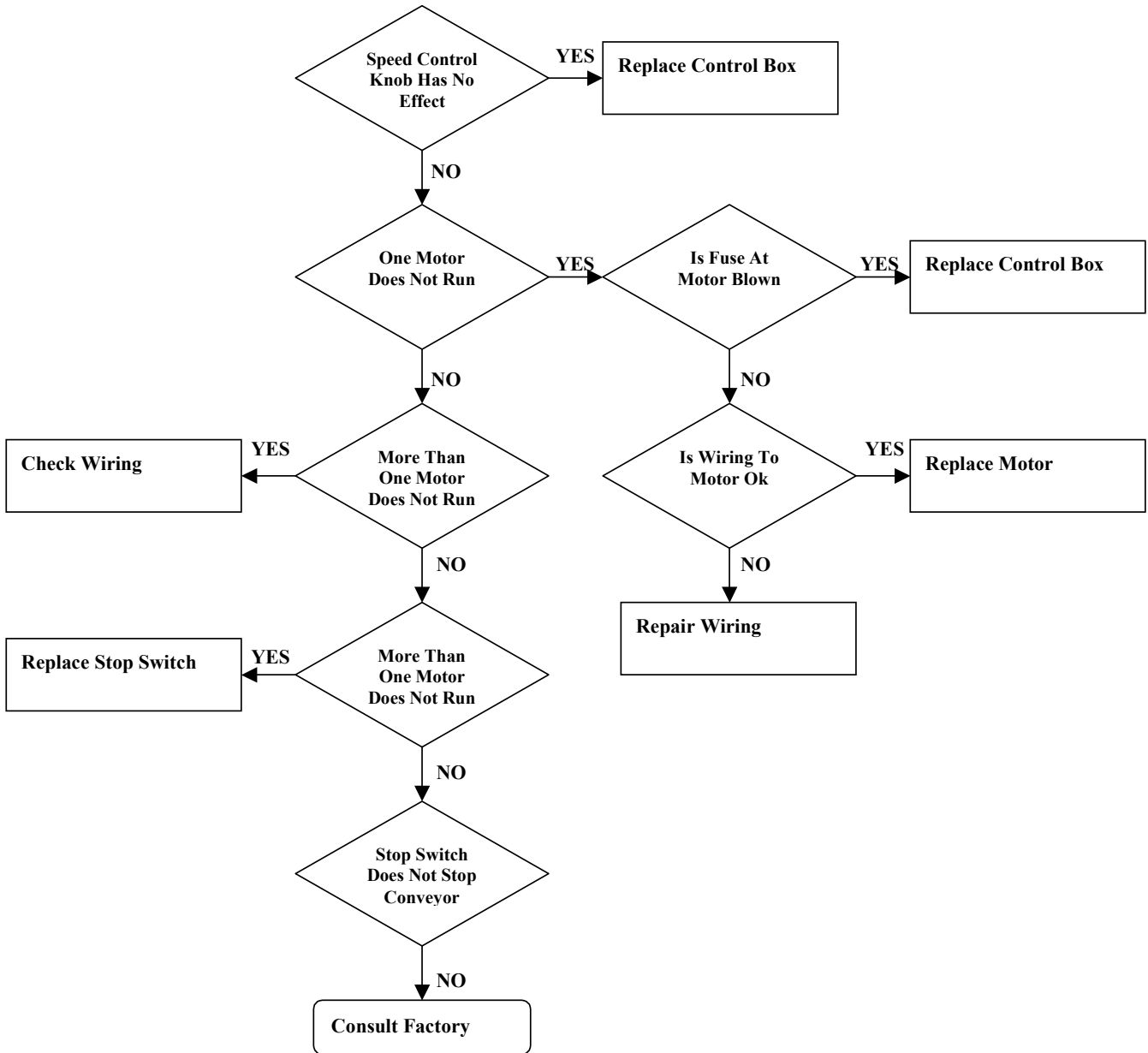


Figure 1

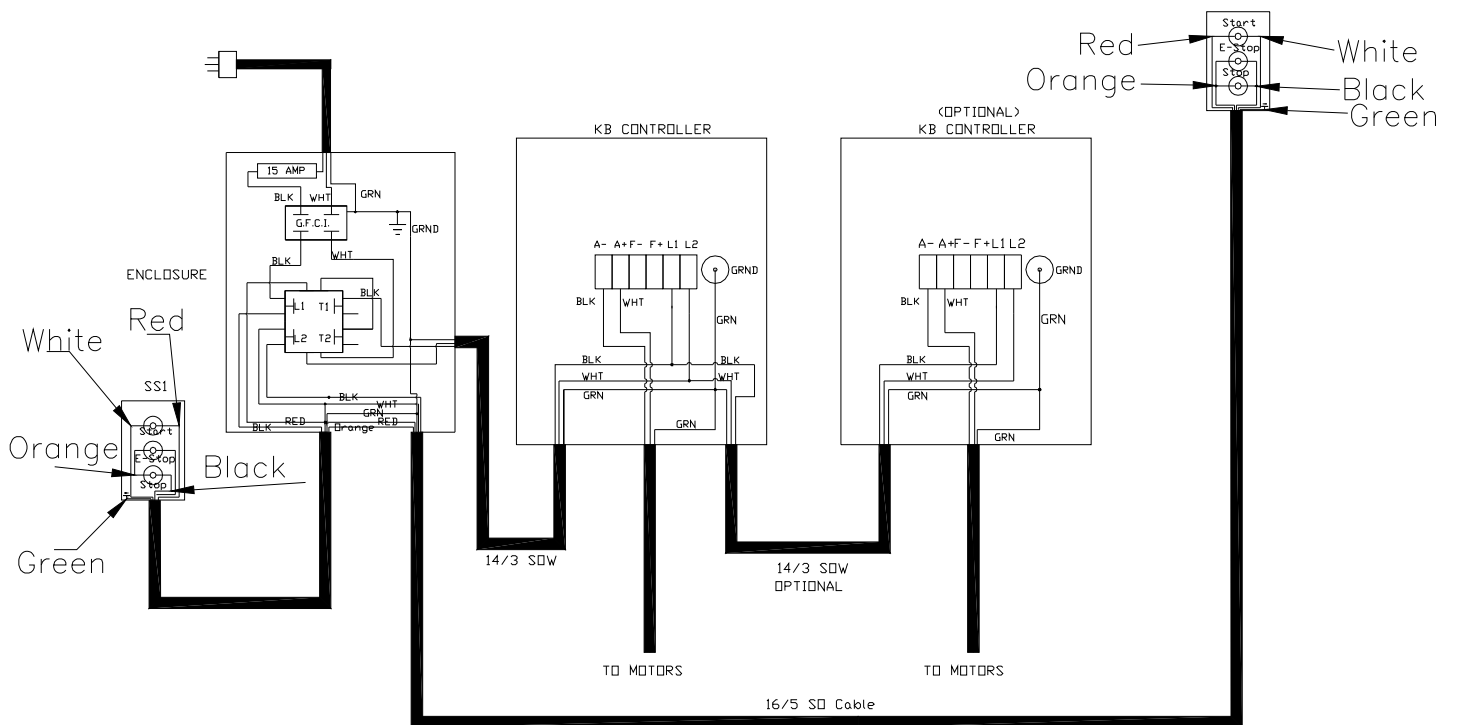
# Troubleshooting



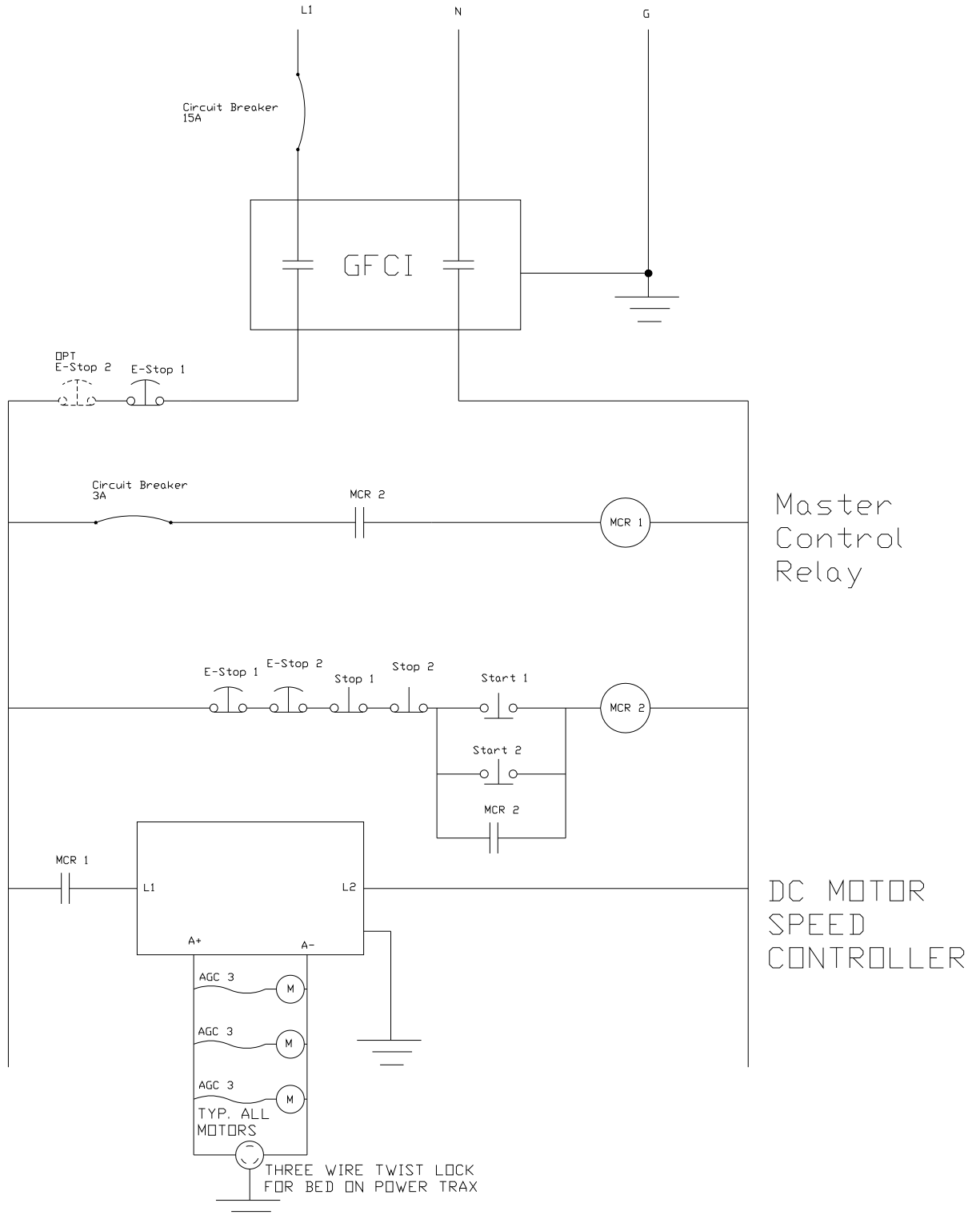
## Troubleshooting (cont.)



## Schematic: E-Stops, Flexible Units w/o PSB



## Schematic: Standard Power



FMH Conveyors Operator's Manual  
BestFlex BFP 1.5 and BFP 1.9

## Parts List

*Refer to Drawings On Following Pages*

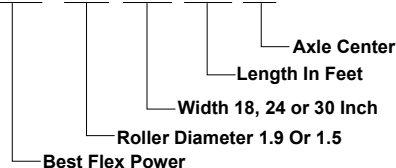
Item	Part #	Description	Item	Part #	Description
1	96504	Bracket Motor Mount	30	10624	3/8" x 1.075W - 5/16" - 18 SH Bolt
2	15044	Fuse Hold Bussman HKP-HH	31	12020	Washer, Flat, 3/8"
3	300328	Fuse, 1 Amp AGC 250V	32	12130	Washer, Lock, 3/8"
4	60402	Cover Blank Reworked	33	10775	3/8"-16 x 1-7/8" Self Tapping
5	15036-1	Handy Box 1/2 KO 2 1/8 DP	34	10776	3/8"-16 x 2-1/8" Self Tapping
6	60403	Bracket Handy Box PF	35	04001	Handle
7	10010	Screw, HHC 1/4"-20 x 3/4"	36	12185	Spacer, 3/4" OD x 13/32" ID x 0.200"
8	11110	Locknut, Nylon 1/4"	37	10033	Screw, 3/8"-16 x 1/2"
9	19006	Drive Pulley, Double Groove	38	Chart A	Assembly, Inner Leg, Non-Brake
10	10600	Bolt, SH, 3/8" x 0.356" with 5/16"-18	39	10620	3/8" x 0.677" with 5/16"-18 SH Bolt
11	11122	Locknut, Nylon NTE 5/16"-18	40	12187	Washer, Nylon 1" OD x 13/32" ID x 1/16"
12	10000	Screw, HHC 1/4"-20 x 5/8"	41	15047-2	Enclosure, 8" x 6" x 3" Cover
13	1-90067	Circuit Breaker, 15 Amp	42	15043	Ground Fault Int., 20 Amp
14	60405	Brace, Motor Mount	43	15060	Relay, #C25BNB225A SER C1
15	70247	Motor, 1/8" HP DC, Baldor	44	See Dwg	Control Enclosure
16	10534	Screw, HHC 1/4"-20 x 1/2"	45	400804	Bracket, Switch Mount
17	10052	Screw, HHC 3/8"-16 x 2"	46	60406	Bracket, Idler Mount
18	11700	Nut, Nylon Jam 3/8"	47	Chart A	Leg Cap, 14 GA
19	19007	Pulley Idler, Double Groove	48	15000-1	Control Box, KBMD-24OD Rev. Switch
20	12467	Belt, Idler, 0.210" x 12-11/16"	49	10009	Screw, HHC 1/4"-20 x 1-1/2"
21	12466	Belt, Drive, 0.210" x 13-3/16"	50	10531	Screw, HSH STAP 1/4"-20 x 3/4"
22	Chart A	Roller	51	12547	Resistor/Fuse Kit, 0.025 Ohm / 8 Amp
23	Chart B	Bracket, Roller Mount 1/8" x 1-5/8"	52	60359	Control Mount Bracket P/F
24	Chart B	Leg Mount Bracket	53	15097	1/2" Cable Clamp Hanger
25	Chart A	Weldment Upper Leg	54	15098	Nylon Axle Clamp
26	Chart A	Axle, 12mm PF	55	12291	Adjustment Knob, 3/8" x 2-3/8" Fluted
27	Chart A	Sidebar	56	1-90073	Circuit Breaker, 3 Amp
28	Chart A	Assembly, Inner Leg With Brake	57	400803	Control Enclosure Guard
29	10024	5/16"-18 x 1/2" HHC			

Chart A							
Conveyor Model Number	Part #						
	Item #22	Item #25	Item #26	Item #27	Item #28	Item #38	Item #47
B/FP1518XXX	50098-18	04102	95037-18	60492	06713-TLC6	06714-CNB6	14070
B/FP1524XXX	50098-24	04060	95037-24	60492	06713-TLC6	06714-CNB6	14070
B/FP1530XXX	50098-30	04101	95037-30	60492	06713-TLC6	06714-CNB6	14070
B/FP1918XXX	50099-18	04464-16	95037-18	60507	06172-149	06172-150	14071
B/FP1924XXX	50099-24	04465-16	95037-24	60507	06172-149	06172-150	14071
B/FP1930XXX	50099-30	04467-16	95037-30	60507	06172-149	06172-150	14071

Chart B		
Conveyor Model Number	Part #	
	Item #23	Item #24
B/FPXX18123	60463-3	60295-PR
B/FPXX24124	60463-4	60379-PR
B/FPXX30125	60463-5	60081-PR

- 3" Axle Centers >
- 4" Axle Centers >
- 5" Axle Centers >

**B/FPXX-XX-XX-X**

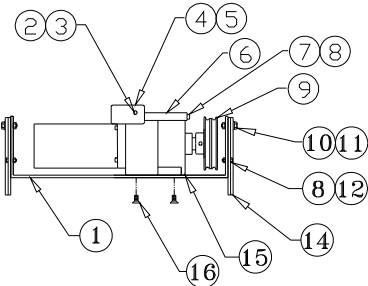
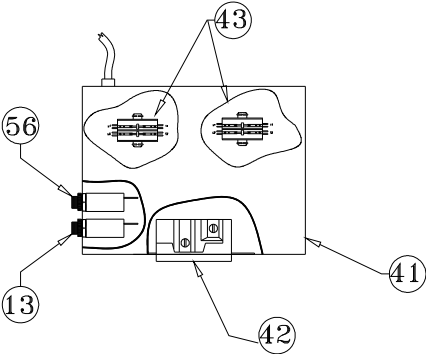




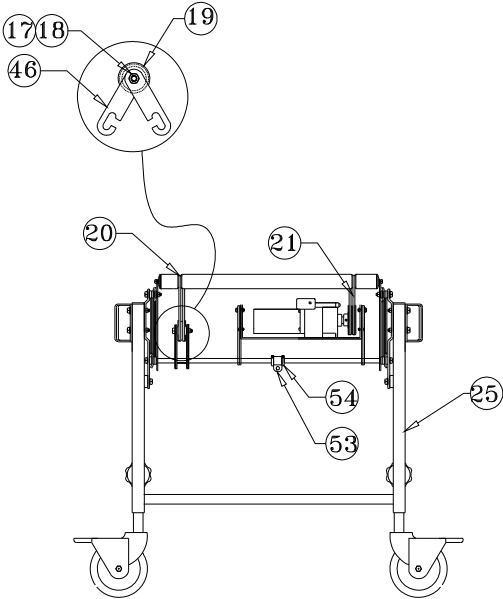
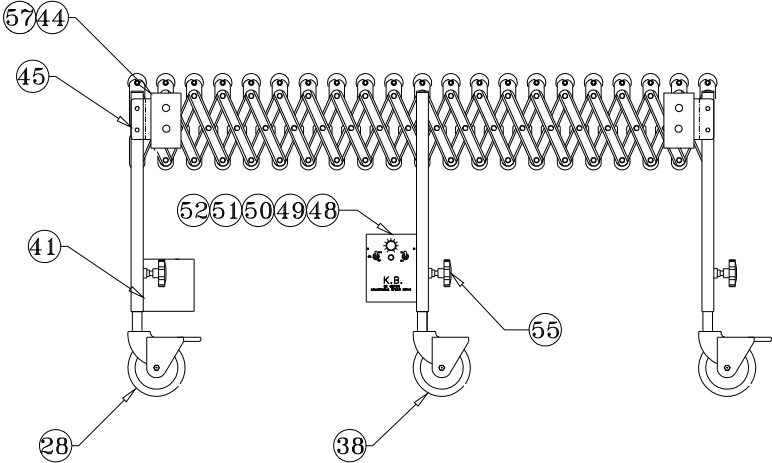
FMH Conveyors Operator's Manual

BestFlex BFP 1.5 and BFP 1.9

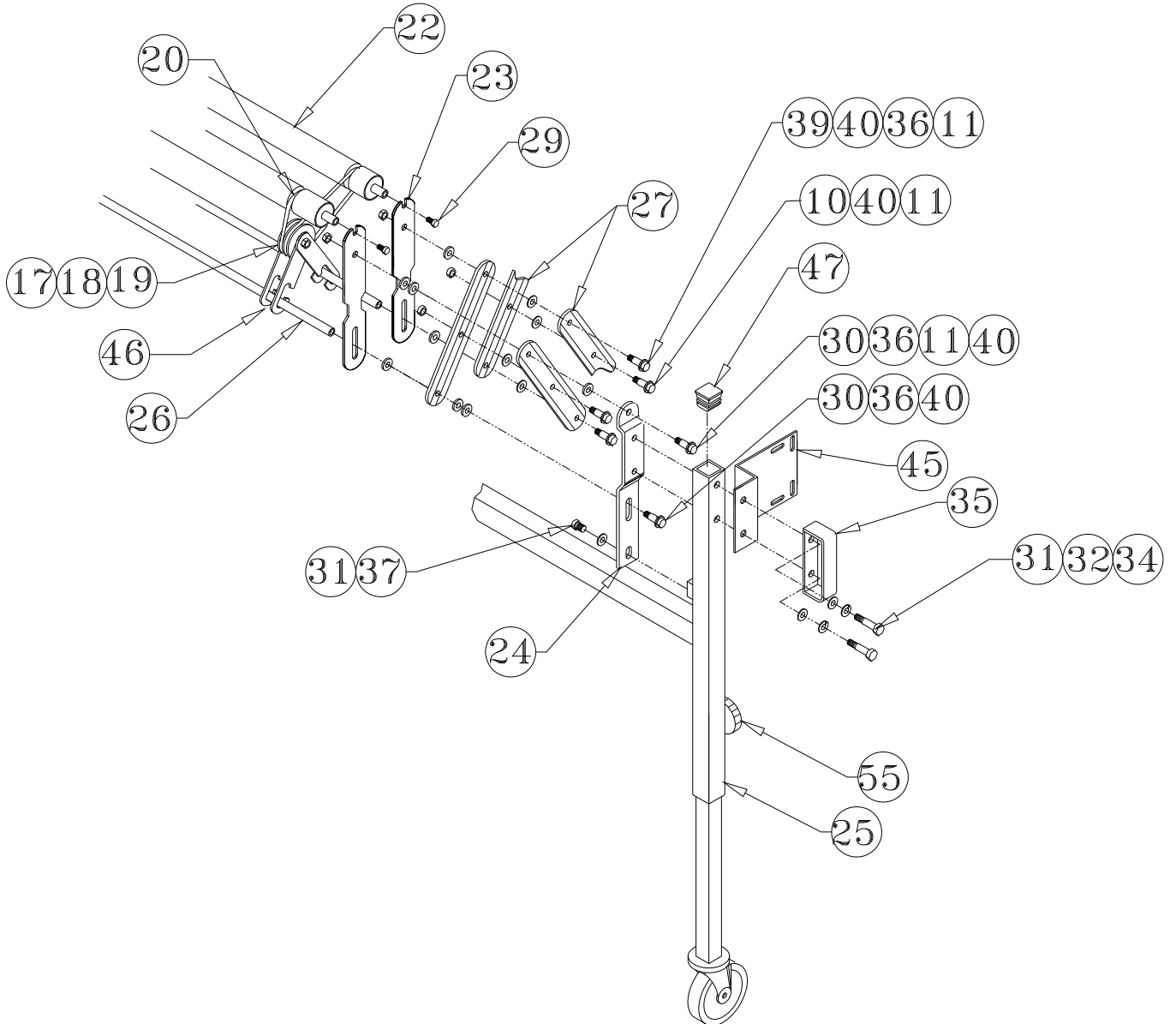
DETAIL - ELEC. ENCLOS.



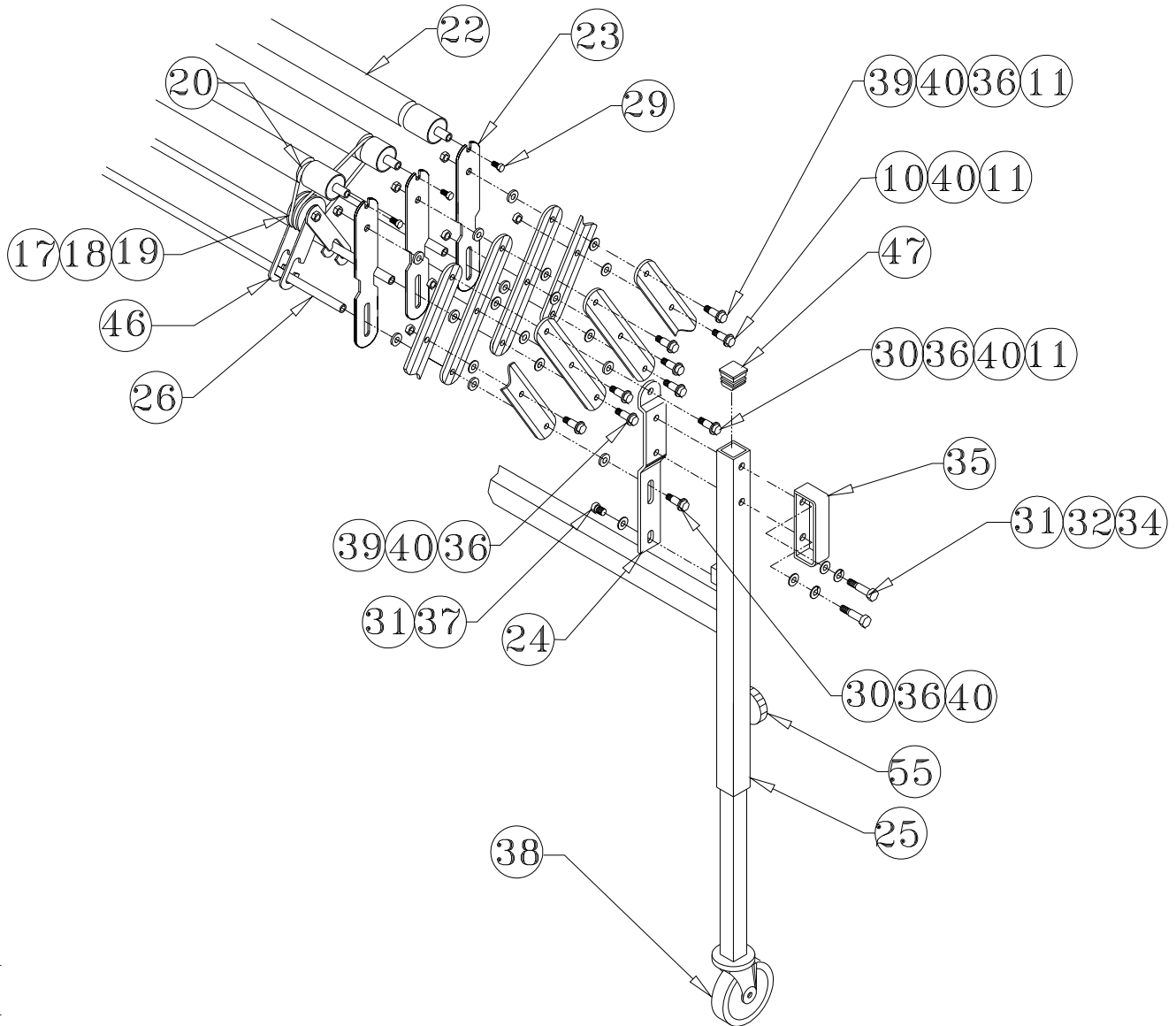
DETAIL - MOTOR ASSY.



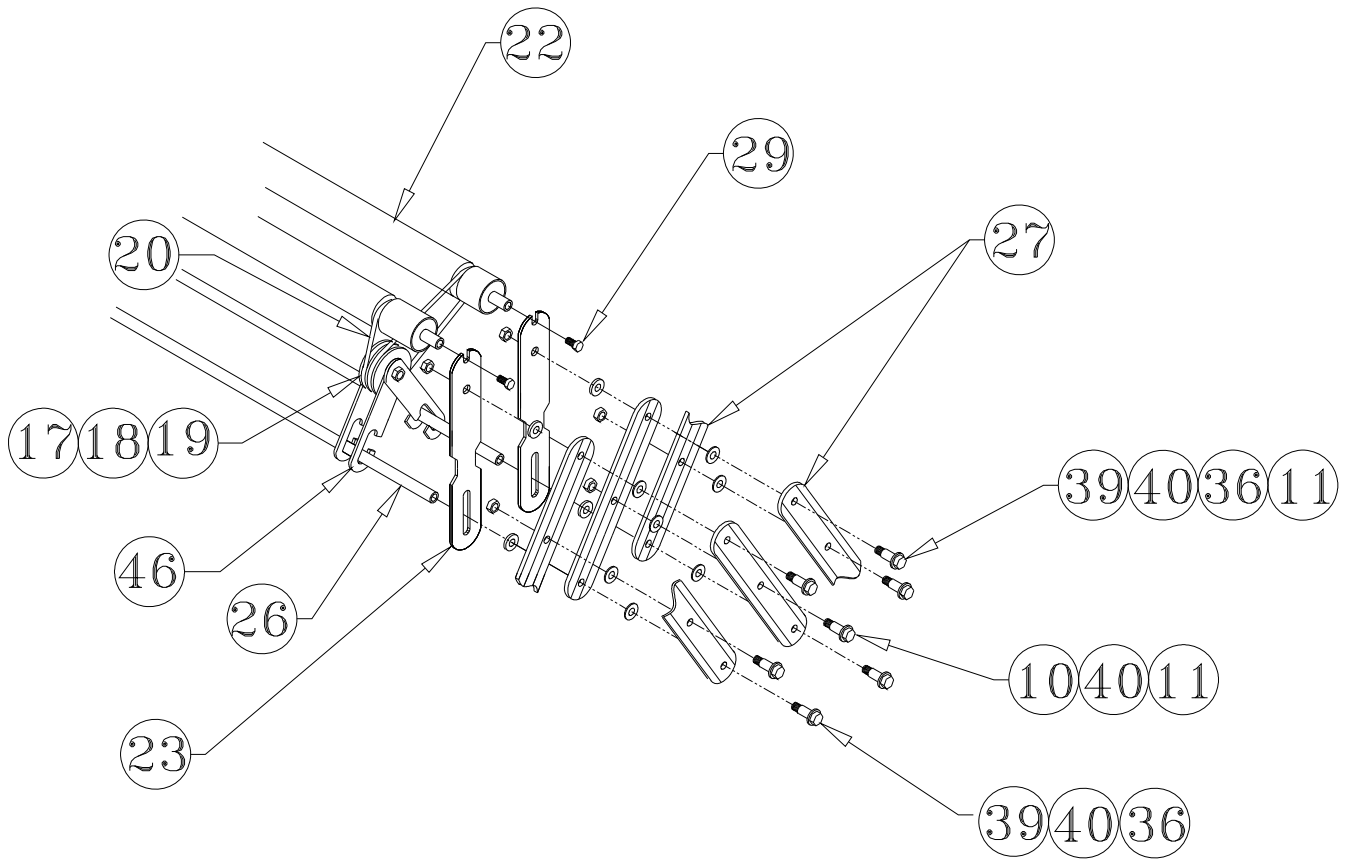
### Drawing: Figure C



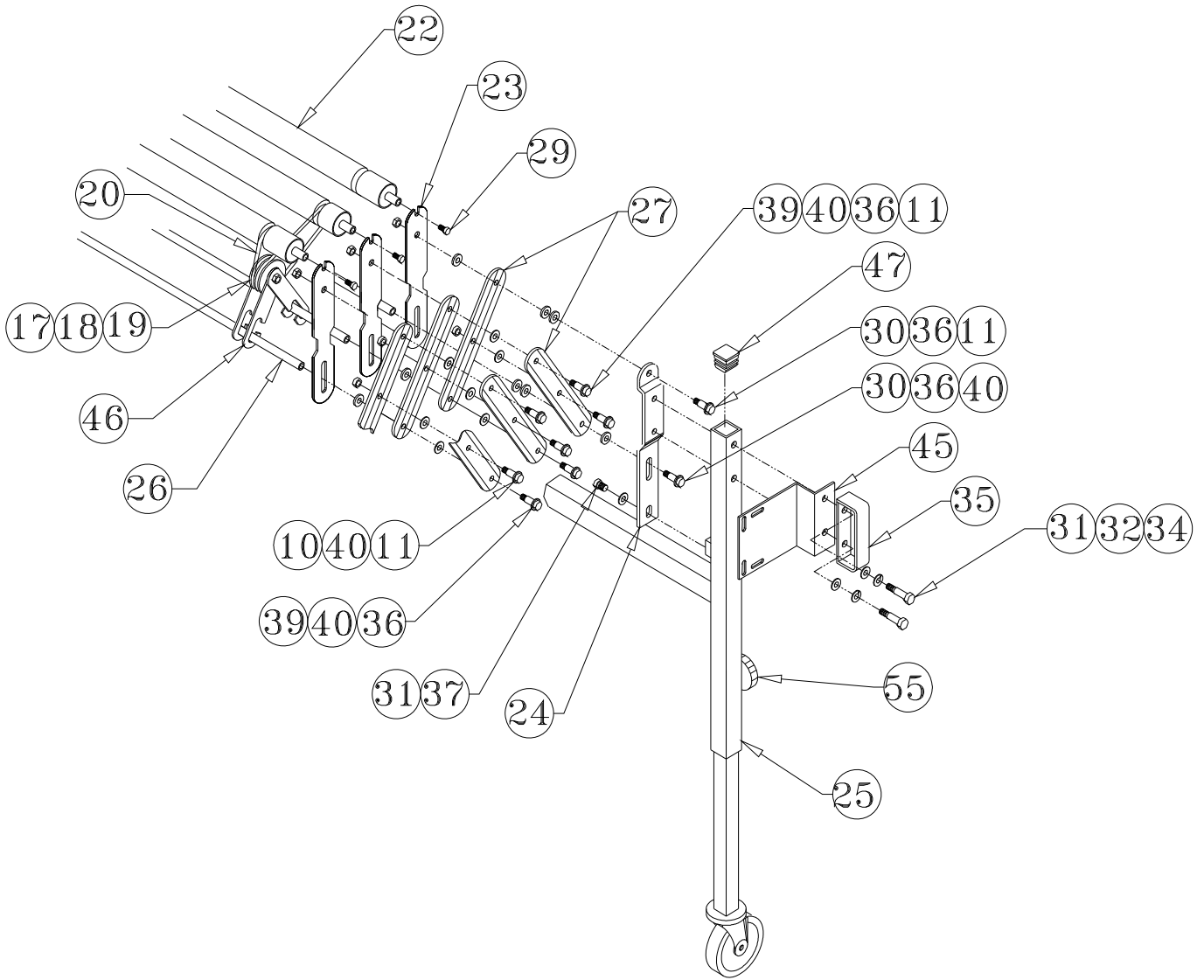
### Drawing: Figure D



### Drawing: Figure E



### Drawing: Figure F



## Recommended Spare Parts List

Part #	Description	Recommended Quantity
10624	3/8" x 1.075W, 5/16"-18 SH. Bolt	10
10600	3/8" x 0.356W, 5/16"-18 SH. Bolt	10
10620	3/8" x 0.677W, 5/16"-18 SH. Bolt	10
11122	Nylon Locknut, 5/16"-18	30
60492	1" Sidebar for BFP 1.5	10
60507	2" Sidebar for BFP 1.9	10
12467	Idler Belt	20
12466	Drive Belt	10
300328	1 Amp Fuse	2
15044	Fuse Holder	2
12185	Spacer	10
12187	Washer, Nylatron	10
70248	Motor, Stature	1
70247	Motor, Baldor	1
15033	Switch	1
15000-1	Control Box	1
Consult Factory	Fuse Resistor Kit	1

## Product Option: Interface Kit

### Interface Kit

When two or more powered conveyors are connected together to make a system, we recommended using the optional Interface Kit. This option allows the conveyor switches and any photo eye options to operate together. If your conveyor has this option, the troubleshooting and wiring diagrams on the following pages apply.

### Troubleshooting

To use this guide, find the heading that best fits your conveyor's condition and check the numbered items in the order they appear. It is important to proceed in the order given since it is assumed at each item that all preceding items under that heading have been checked and passed.

If the material flow of the conveyor is away from the end where 115VAC power is connected, the conveyor is considered a shipping conveyor. If the material flow is toward the electrical connection end, the conveyor is a receiving conveyor. The basic wiring of both conveyors is the same. Differences are encountered when the optional indexing and package stop photo eyes are used.

**CAUTION: Electrical systems should only be serviced by qualified personnel. Refer to and observe all local codes and OSHA guidelines for LOCKOUT/TAGOUT procedures. Make sure all power has been disconnected before opening any enclosure. Keep hands and tools away from electrical circuits when power is applied. 115VAC is present even when the conveyor is stopped by the STOP switch. The only way to guard against electrical shock is to unplug the conveyor from its AC power source before servicing.**

**Diagnostic LEDs** (refer to troubleshooting flowchart on page 12)

Power Supply Board's LEDs and Neon Lamp:

RED	On when STOP button is pushed and RELAY 1 is off.
GREEN	On when 17VDC is present through the DC fuse.
LARGE AMBER	On when the photo eye connected to the power supply is blocked.
SMALL AMBER	On when RELAY 2 is energized.
NEON LAMP	On when RELAY 1 is energized and AC power is supplied to the DC controller.

## Interface Kit Troubleshooting (cont.)

### ***Conveyor Does Not Run:***

**Note: If your conveyor is equipped with Index and/or Package Stop Photo Eyes, see section on Photo Eyes before continuing.**

- 1) Check AC power coming into conveyor.
  - a) Make sure the unit is plugged into a hot 115VAC outlet.
  - b) Check the circuit breaker mounted in the side of the power supply enclosure. If the breaker is tripped, an overload has occurred. The fault causing this condition must be cleared before continuing.
  - c) If AC power is present at least one LED on the power supply board should be lit.
  - d) AC power can be verified with an appropriate voltage meter across the L1 and L2 terminals on the power supply board.
  
- 2) Check DC control voltage.
  - a) Check that the GREEN LED on the power supply is on. If the LED is off and AC voltage is present, check the  $\frac{3}{4}$  amp and 2 amp fuses on the power supply board. If a fuse is blown, repair any electrical shorts or overload conditions before continuing. If fuses are not blown and the GREEN LED is not on, the power supply board has failed.
  
- 3) Check for AC power coming into the DC motor controller.
  - a) The neon lamp on the power supply board should be on whenever AC power is supplied to the DC controller. If this lamp is off and the RED LED on the power supply board is also off, check the 15 amp fuse on the power supply board that powers the DC controller. If this fuse is good, the relay on the power supply board has failed.
  - b) If the RED LED is on, check that all START/STOP switches are in the START position.
  - c) Check the AC fuse on the DC motor controller.
  - d) AC power can be verified with a voltage meter at the DC controller.
  
- 4) Check for DC power on the output side of the DC motor controller.
  - a) Check the DC fuse on the DC controller. If the DC fuse is good, and the plug-in resistor is in place, and no DC voltage is present at the output of the DC motor controller, the controller has failed. If the fuse is blown, the cause could be either a shorted motor cord or a motor is drawing excessive current.
  - b) Check for voltage at the first motor. If voltage was present at the output of the controller and none is present at the motor, the cord is defective.



## Interface Kit Troubleshooting (cont.)

### ***One Or More Motors Will Not Run:***

- 1) Check the fuse at the motor.
  - a) If the fuse is blown, replace fuse. If the fuse blows again, the motor is defective.
  - b) If the fuse is not blown, check voltage. If voltage is present, the motor is defective.
  - c) If no voltage is present, the motor power cord is defective.

### ***Photo Eye Does Not Operate Properly***

- 1) If no LED's are lit on the photo eye:
  - a) Check Fuse F1 on the power supply board.
  - b) If the fuse is not blown, check 17VDC on the Power Supply Board.
  - c) If no voltage is present, check wiring to Photo Eyes.
  - d) If the wiring is good, the Photo Eye is defective.
- 2) If the YELLOW LED is lit but the RED LED is not:
  - a) With no packages in front of the photo eye, align until RED LED is lit.
  - b) If you are unable to light the RED LED, replace reflector and realign.
- 3) If the YELLOW and RED LEDs are lit, the GREEN LEDs should operate as follows:

### ***Indexing:***

- a) When the photo eye is clear, the GREEN LED should be lit.
- b) If the GREEN LED is not lit, check the setting of the DK/LT switch to ensure it is set to LT.
- c) Adjust the Delay on the potentiometer counterclockwise.
- d) If the GREEN LED still does not light, replace the photo eye.

### ***Package Stop:***

- a) When the photo eye is blocked, the GREEN LED should be lit.
- b) If the GREEN LED is not lit, check the setting of the DK/LT switch to ensure it is set to DK.
- c) Adjust the Delay on potentiometer counterclockwise.
- d) If the GREEN LED still does not light, replace photo eye.

## Package Stop Kit

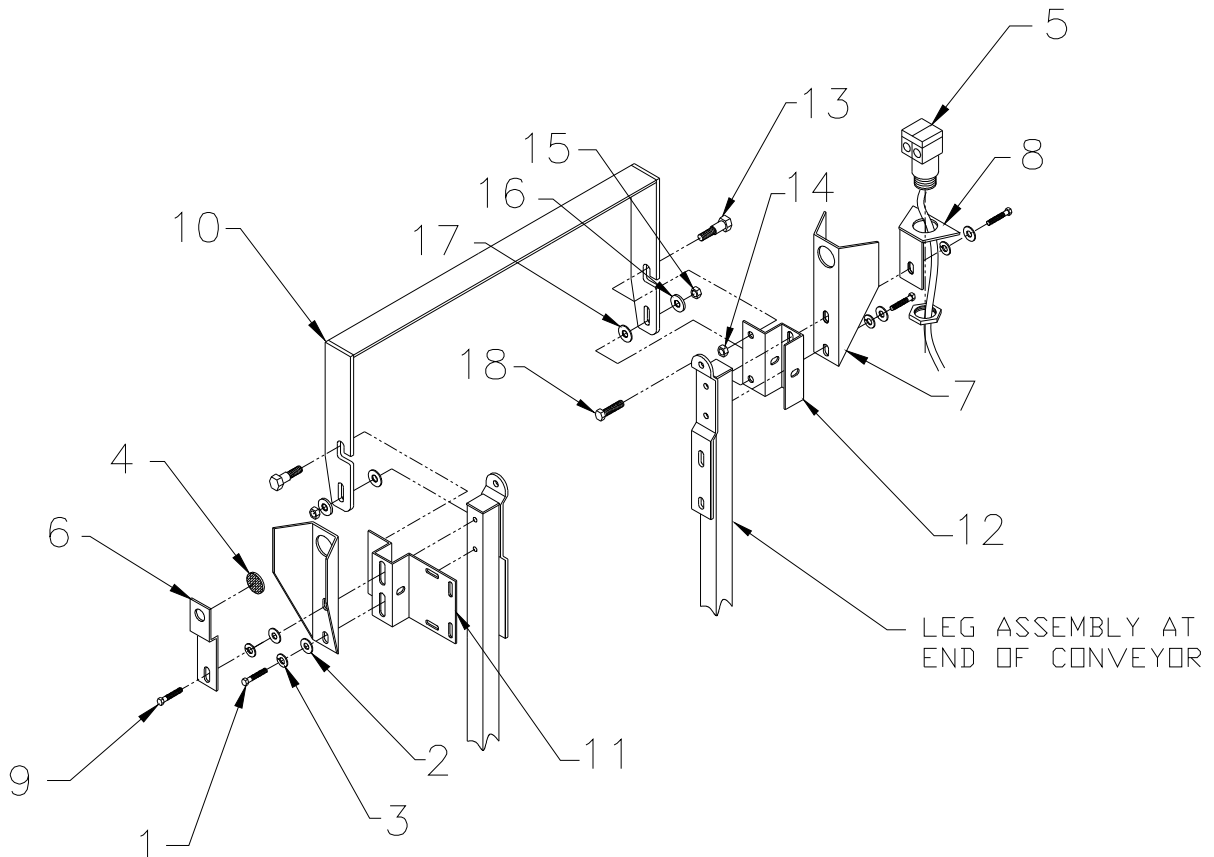
The Package Stop Kit includes a photo eye to stop the conveyor and a bar to prevent small boxes from coasting off the end of the conveyor.

Item	Part Number	Description
1	10776	Bolt, Self TH. 3/8"-16 x 2-1/8"
2	12020	Washer, Flat 3/8"
3	12130	Lock Washer, 3/8"
4	1-90027	Reflector
5	Chart A	Sensor, Photo Electric
6	60900	Brkt, Photo-Eye MT. AB
7	1-90060	Brkt, Photo-Eye Guard
8	1-90062	Brkt, Photo-Eye Pkg Index
9	10776-1	Bolt, Self TH. 3/8"-16 x 2-3/8"
10	Chart B	Package Stop
11	Chart C	Wt. Leg Conn w/ Switch
12	Chart C	Brkt, Conn Bolt w/o Handle
13	10750	Bolt, SHS 1/2" dia x 3/4", 3/8"-16
14	11700	Nut, Nylon Jam 3/8"
15	11140	Locknut, Nylon 3/8"
16	12021	Washer, Flat 3/8" SAE Domes
17	12187	Washer, Nylon 1"OD x 13/32"ID x 1/16"
18	10042	Screw, HHC 3/8"-16 x 1

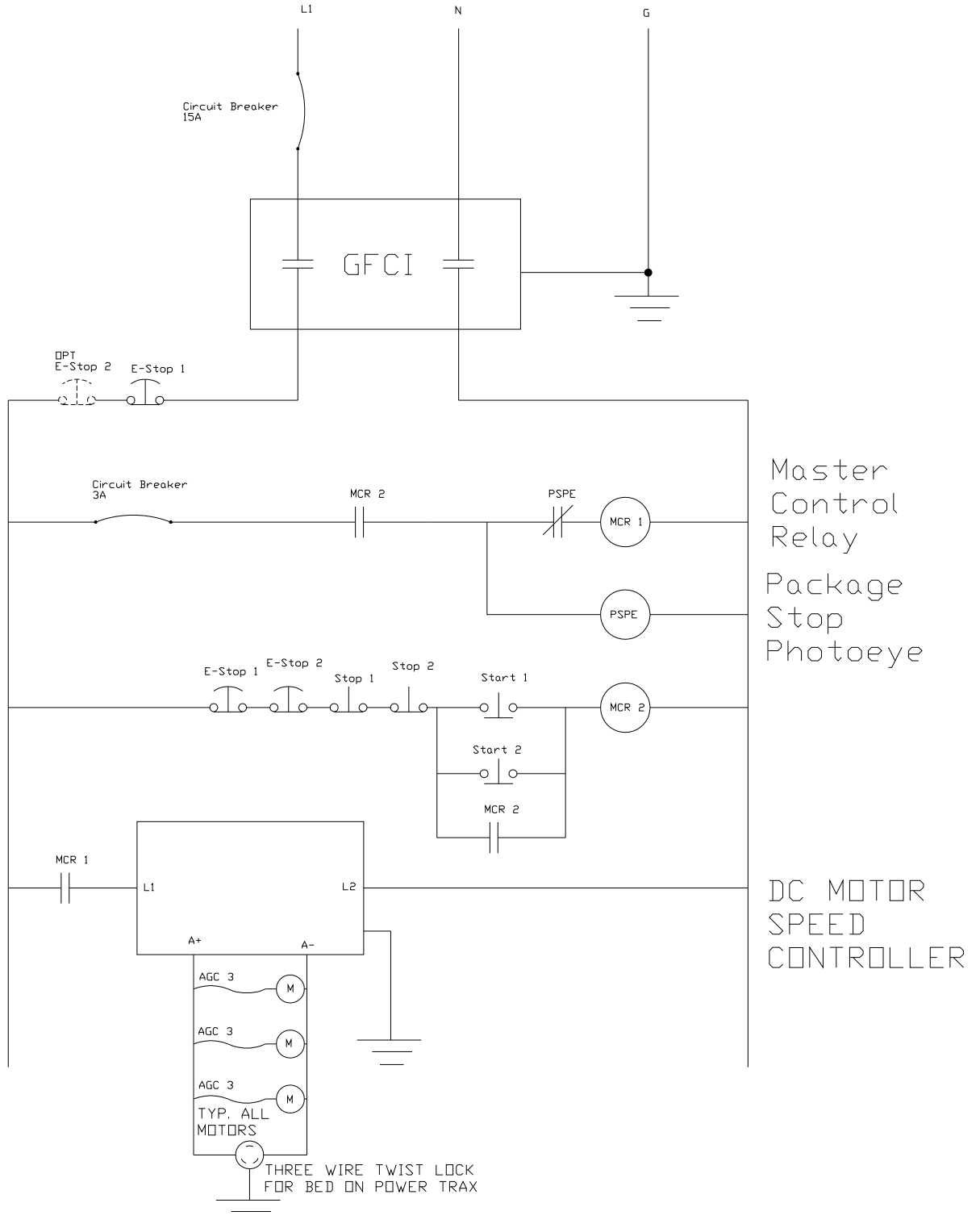
Chart A, Item 5	
Part #	Description
1-90021	Photo Eye AB9001 DC
1-90022	Photo Eye AC

Chart B, Item 10	
Part #	Description
04229-18	Wt. Package Stop 18" Power
04229-24	Wt. Package Stop 24" Power
04229-30	Wt. Package Stop 30" Power

Chart C		
Item #	Part #	Description
11	04010-4	Wt. Leg Connect w/ switch (1.5)
11	04010-5	Wt. Leg Connect w/ switch (1.9)
12	60280-10	Brkt. Conn. Bolt, w/o handle (1.5)
12	60280-7	Brkt. Conn. Bolt, w/o handle (1.9)



## Schematic: Package Stop Kit

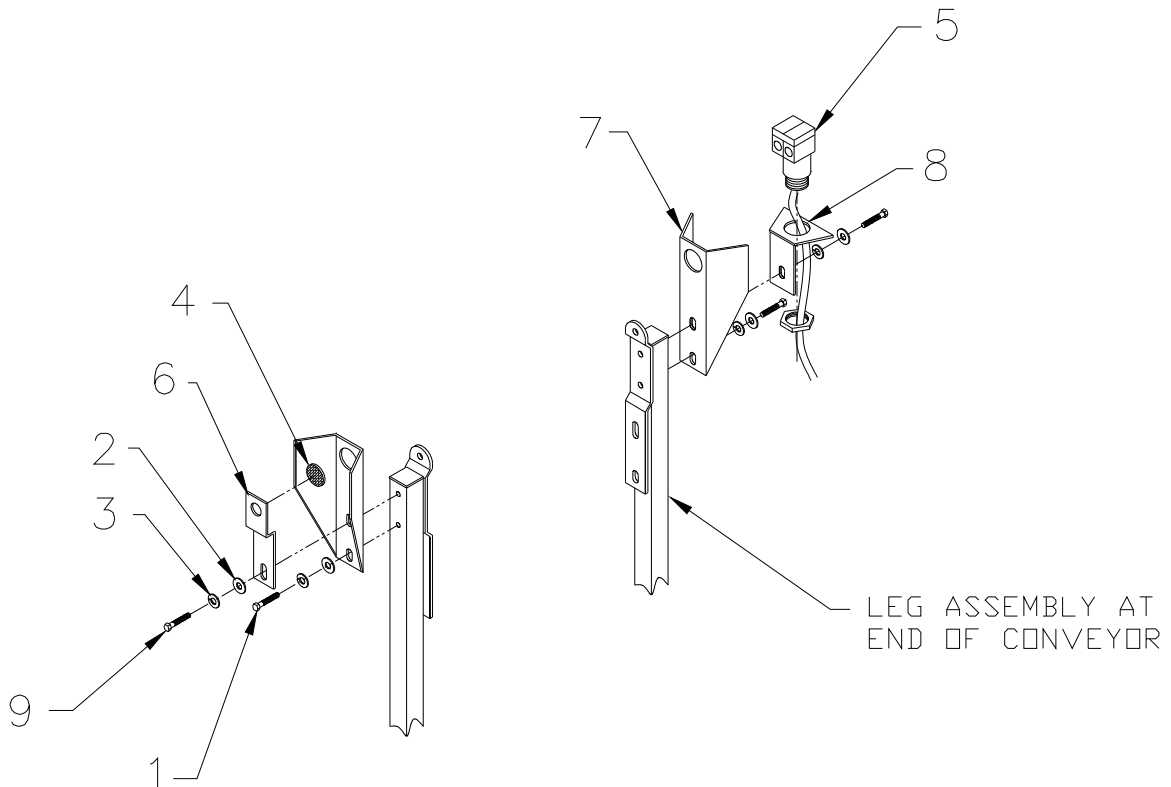


## Indexing Kit

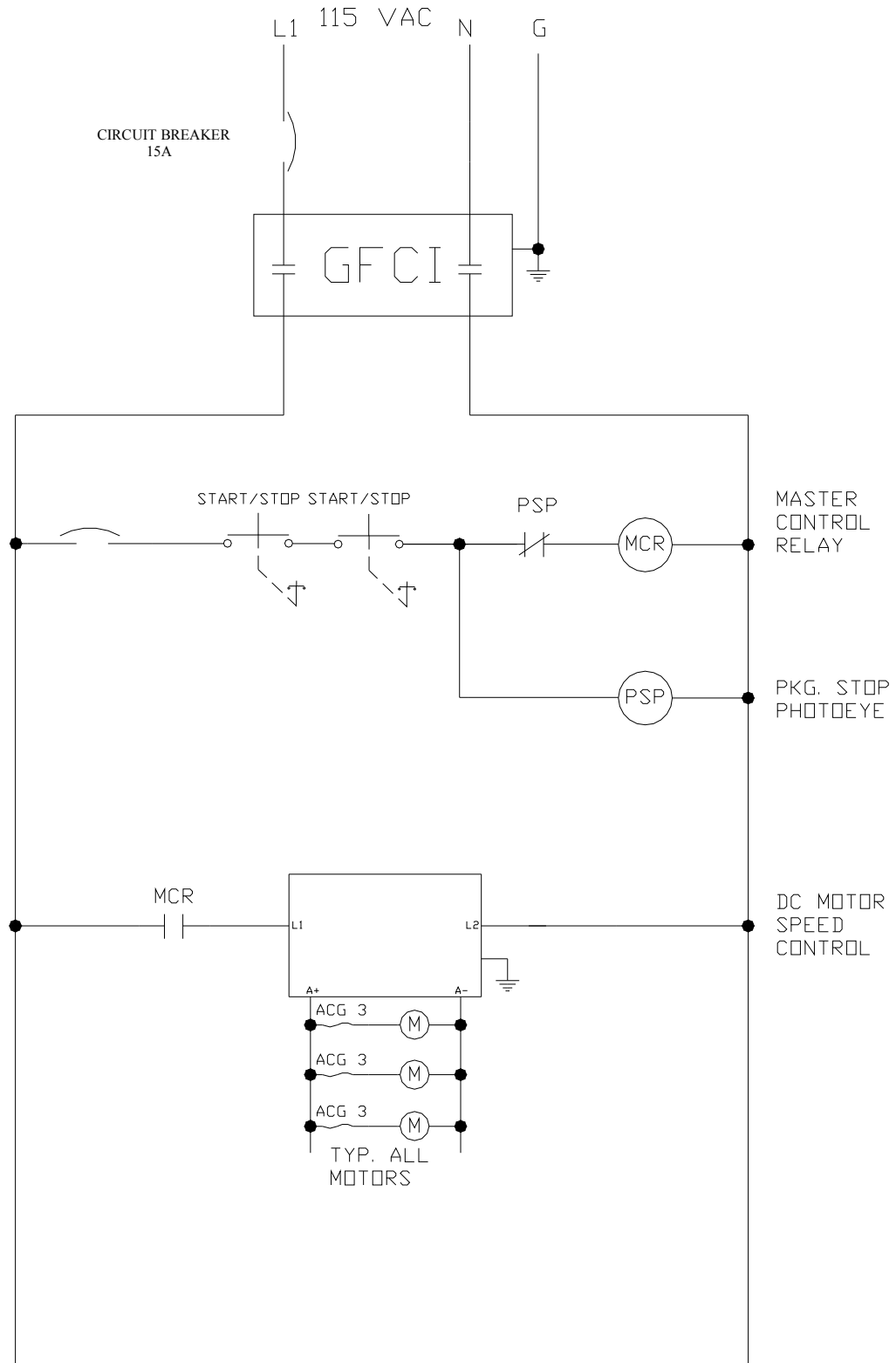
This feature lets you electronically control the space between cartons for easier handling and bar code reading. With indexing, your cartons move at a predetermined distance, then the entire conveyor stops. When you add cartons, the entire conveyor starts and stops as a total unit to gradually move the lead carton toward the discharge end. When you finish loading the conveyor, you can over-ride the indexing feature to move all the cartons to the discharge end.

Item	Part #	Description
1	10776	Bolt, Self TH. 3/8"-16 x 2-1/8"
2	12020	Washer, Flat 3/8"
3	12130	Lock Washer, 3/8"
4	1-90027	Reflector
5	Chart A	Sensor, Photo Electric
6	60900	Brkt., Photo-Eye Mt. AB
7	1-90060	Brkt., Photo-Eye Guard
8	1-90062	Brkt., Photo-Eye Pkg. Index
9	10776-1	Bolt, Self TH. 3/8"-16 x 2-3/8"

Chart A, Item #5	
Part #	Description
1-90021	Photo Eye AB9001 DC
1-90022	Photo Eye AC



## Schematic: Indexing Kit

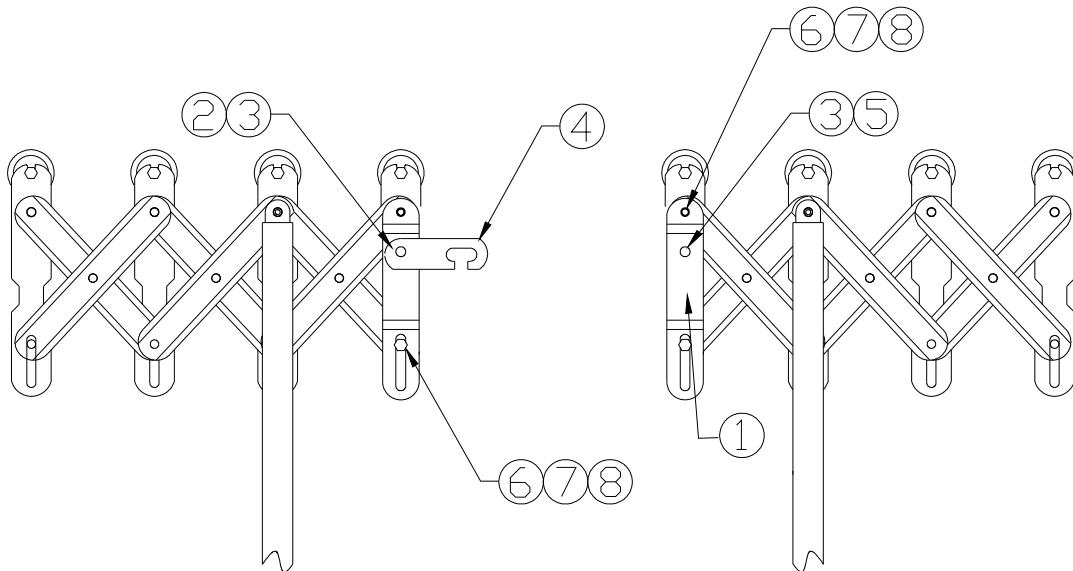


## Leg Connect Bracket Kit

Easily connects two or more conveyors.

Item	Part #	Description
1	60289	Connect Bracket
2	10042	Screw, HHC 3/8"-16 x 1"
3	11700	Nylon Jam Nut 3/8"
4	Chart A	Connect Hook
5	10750	Bolt, SH. 1/2" x 3/4", w/3/8"-16
6	10624	3/8" x 1.075, w/ 5/16"-18 Shld. Bolt
7	11122	Nylon Locknut NTE, 5/16"-18
8	12185	3/4"OD x 13/32"ID x 0.200" Spacer

Chart A, Item #4		
Centers	Part #	Description
3"	60290-2	Hook Connector, 3-1/2"
4"	60290	Hook Connector, 4-1/8"
5"	60277	Hook Connector, 5-3/8"



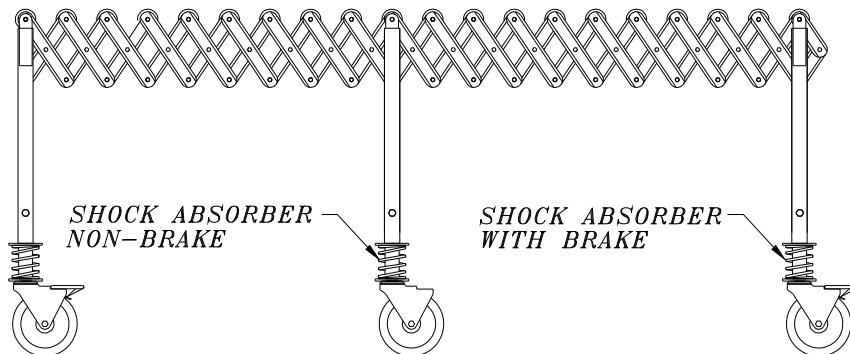
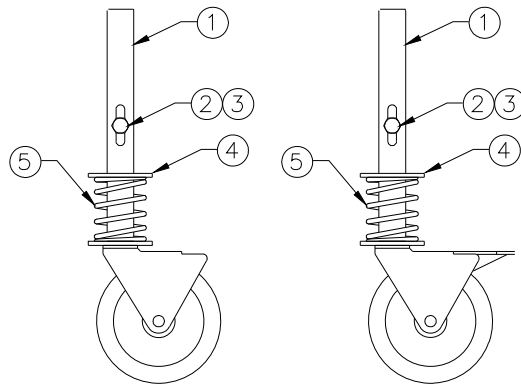
## Shock Absorbing Inner Legs Kit

Shock Absorbing Inner Legs are a unique design that provides spring-loaded legs to absorb shock when cartons are placed on the conveyor. This option requires the legs to be pre-set at the factory in a non-adjustable decline or level application.

Item	Part #	Description
1	Chart A	Inner Leg, Shock Abs.
2	10052	Screw, HHC 3/8"-16 x 2"
3	11140	Locknut, 3/8"-16 Nylon
4	Chart B	Round Plate for Shock Abs.
5	Chart B	Spring for Shock Abs.

Chart A, Item #1		
Brake	Non-Brake	Description
06170-C6BK-P3HD	06170-C6NB-P3HD	Inner Leg, 1", 6x2 Caster
06175-C8BK	06175-C8NB	Inner Leg, 1 1/4", 8x2 Caster

Chart B		
Item #	1.5" Roller	1.9" Roller
4	1-10006	1-10008
5	1-10004-1	1-10005



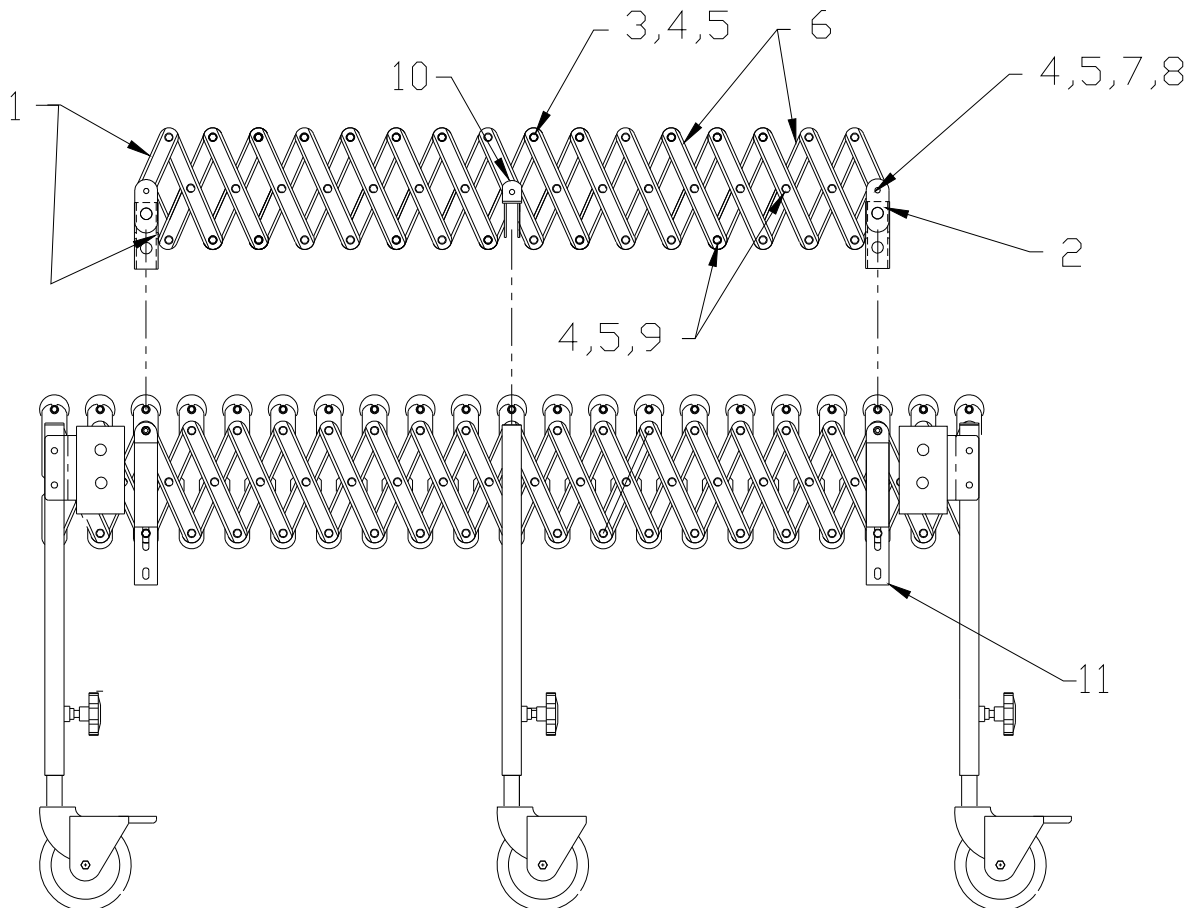
## Side Rails

Side Rails prevent cartons from skewing off of the conveyor.

Item	Part #	Description
1	60155-2	Short Scissor Side Rail
2	Chart A	W Side Rail MT. Brkt. Wrap Around
3	10562	Bolt, SP., Pan HD., 5/16"-18 x 1"
4	11121	Nylon Locknut, NTE 5/16"-18
5	12185	Spacer, 3/4"OD x 13/32"ID x 0.20"
6	60152-2	Inner Side Rail Scissor
7	10027	HHC Screw 5/16"-18 x 1-1/2" C/F
8	12187	Nylon Washer, 1"OD x 13/32"ID x 1/16"
9	10563	Bolt, HWAHD, 5/16"-18 x 1"
10	Chart A	W Side Rail MT. Brkt. Drop In
11	Chart B	W Side Rails Inter., BFP

Chart A		
Item	1.5 Roller	1.9 Roller
2	04684	04685
10	04679-8	04679-9

Chart B, Item #11		
Centers	1.5 Roller	1.9 Roller
3"	04683	---
4"	04681	04684-4
5"	04682-1	04684-5





# PowerTrax

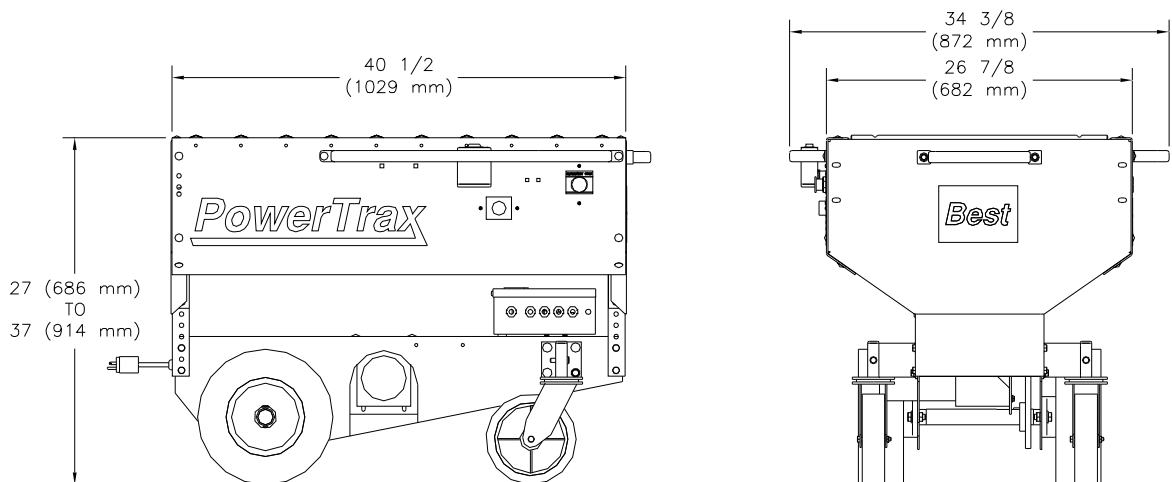


E230492

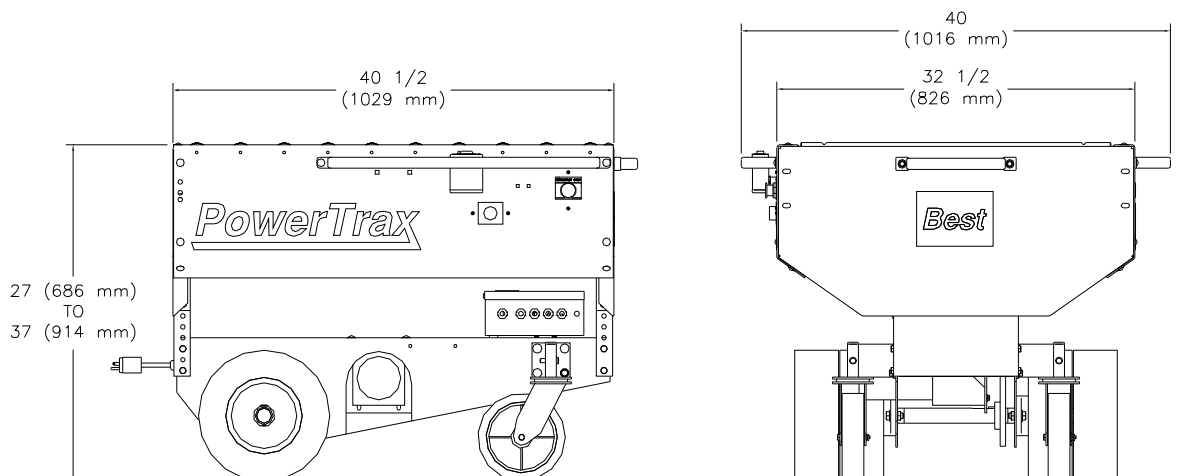
The PowerTrax powers FMH power conveyors in and out of trailers for safer loading and unloading. It's impact gravity or powered roller bed is adjustable from 27" (686 mm) to 36" (914 mm) in increments of 1" (25 mm). PowerTrax adds 4' (1219 mm) to the conveyor length.

Item No.	Part No.	Description
1	8-06005	PowerTrax, 24" Gravity Bed
	8-06007	PowerTrax, 24" Powered Bed
2	8-06006	PowerTrax, 30" Gravity Bed
	8-06008	PowerTrax, 30" Powered Bed

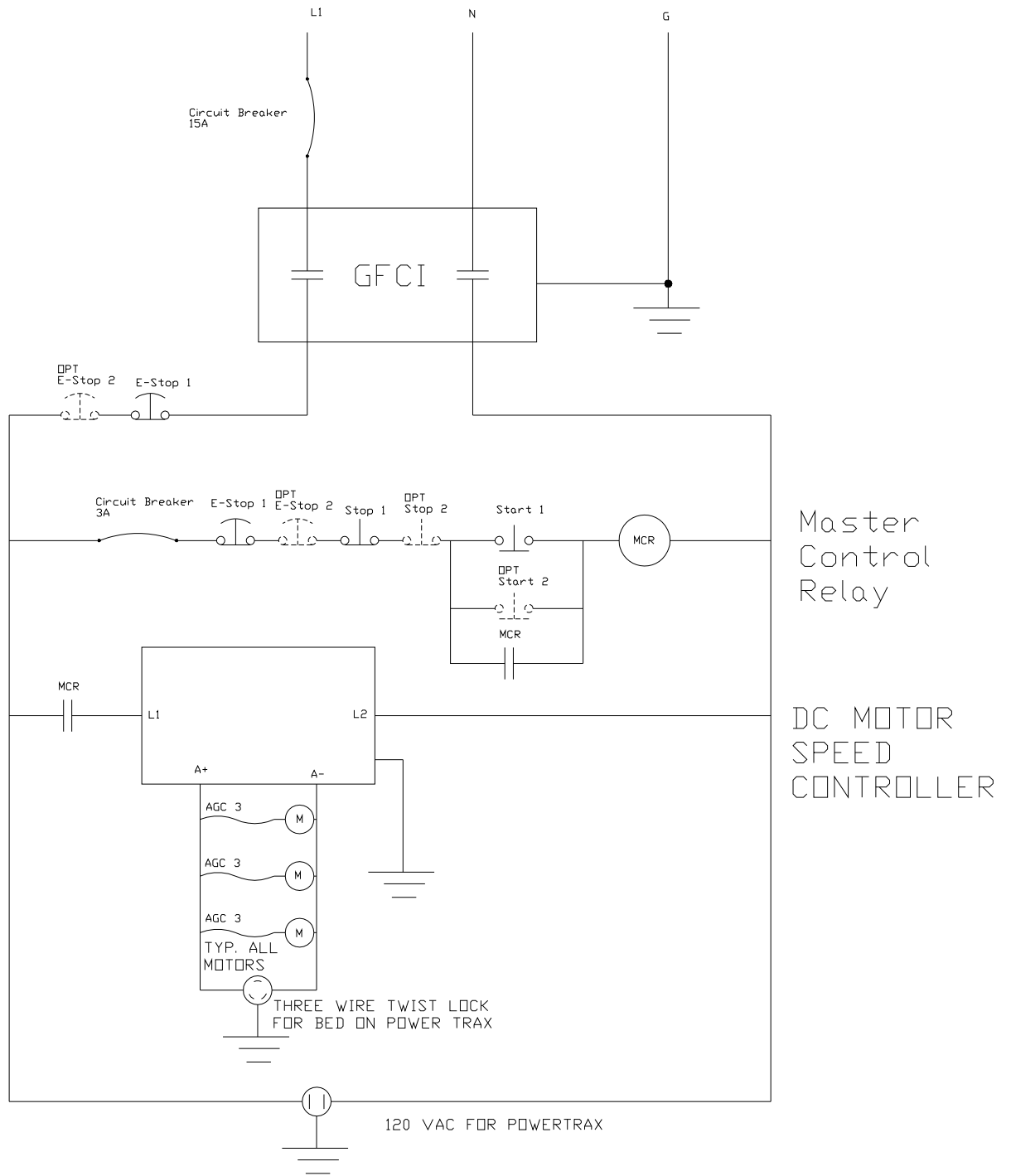
## PowerTrax 24" Model



## PowerTrax 30" Model



## Schematic: PowerTrax Connection

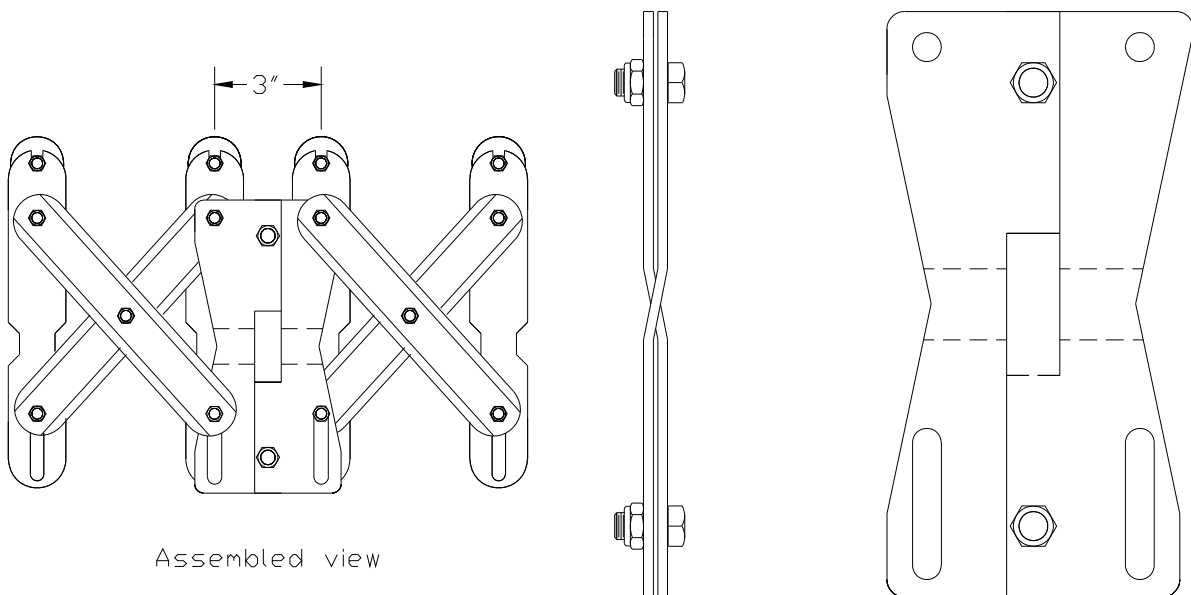


## Split Kit Option

A Split Kit (500001) will be used when the conveyor is split and palletized for shipping. The kit allows for quick and easy connection of the split sections of conveyor to make a full-length unit.

- 1) To connect units split for shipping with a split kit, match up the ends of the unit that are tagged with the SAME color and number (the tag will have a colored dot and a number written on it).
- 2) Next, remove the bolts installed on one side of the split kit and slide the matching halves of the split kit together, aligning the bolt holes in each half. Reinstall the bolt and the corresponding locknut.
- 3) The final step is to loosen the rollers at the split and install the idler roller belt. The belt is located on one side of the split with the idler wheel and bracket. After reattaching the idler belt, retighten the bolts on the end of the roller.

Item	Part #	Description
1	500001	Power Connection Kit



## Control Enclosure

PARTS LIST			
Item	Qty	Part #	Description
1	1	300907	Pushbutton, 22mm, E-Stop
2	1	300905	Pushbutton, 22mm, Red
3	1	300906	Pushbutton, 22mm, Green
4	1	300903	3 Hole Enclosure
5	3	300904	Pushbutton, 22mm, Base
6	1	300213	Strain Relief
7	1	300909	Nameplate, 22mm, Stop
8	1	300908	Nameplate, 22mm, Start
9	1	300910	Nameplate, 22mm, E-Stop
10	1	300902	Contact, 22mm, Normally Open
11	2	300901	Contact, 22mm, Normally Closed

